

LUCCI AIRFUSION HAVANA CEILING MOUNTED OSCILLATING FAN

- **INSTALLATION**
- **OPERATION**
- **MAINTENANCE**
- **WARRANTY INFORMATION**

CAUTION

**READ INSTRUCTIONS CAREFULLY FOR SAFE
INSTALLATION AND FAN OPERATION.**

CONTENTS

GB	Installation instruction manual	3
D	Installationsanleitung	16
F	Guide d'installation.....	30
E	Manual de instrucciones de instalación.....	44
I	Manuale delle istruzioni di installazione.....	58
NL	Installatiehandleiding.....	71

Contact:

Beacon International Ltd

Hong Kong Head Office: Room 05, 18/F, Kimberland Center, 55 Wing Hong Street, Cheung Sha Wan Kowloon, Hong Kong

Tel +852 34915904 Fax +852 34915917

China showroom / Office: 11/FI, Guzhen Lighting Building B, Mid Zhongxing Road, Guzhen, Zhongshan, GuangDong, China.

Tel: +86 760 8986 6388 Fax: +86 760 8986 6380

info@beaconinternational.com

www.beaconinternational.com

Beacon Lighting Europe GmbH

Campus Fichtenhain 42, 47807 Krefeld, Germany

TEL +49 (2151) 325 82 39 FAX +49 (2151) 325 70 65

sales@beaconlighting.eu


www.beaconlighting.eu



GB**THANK YOU FOR PURCHASING**

Thank you for purchasing this quality Lucci product. To ensure correct function and safety, please read and follow all instructions carefully before assembly, installation and use of this ceiling fan. Please keep instructions for future reference.

SAFETY PRECAUTIONS

1. This appliance can be used by children aged from 8 years and above and persons with reduced physical, sensory or mental capabilities or lack of experience and knowledge if they have been given supervision or instruction concerning the use of the appliance in a safe way and understand the hazards involved. Cleaning and maintenance shall not be undertaken by children without supervision.
2. Children should be supervised to ensure that they do not play with the appliance.
3. An all-pole disconnection switch must be incorporated into the fixed wiring, in accordance with local wiring rules.
4.  Do not dispose of electrical appliances as unsorted municipal waste, use separate collection facilities. Contact your local government for information regarding the collection systems available.
5. If electrical appliances are disposed of in landfills or dumps, hazardous substances can leak into the ground water and get into the food chain, damaging your health and well-being.
6. The structure to which the fan is to be mounted must be capable of supporting a weight of 16kg.
7. The fan should be mounted so that the blades are at least 2.3 m above the floor in Europe. (Refer to the 'Clearance requirement' section for more information.)
8. This fan is suitable for indoor and alfresco areas where the fan is fully undercover with a minimum of 2 walls. This fan is not waterproof. When installed in an alfresco area, the ceiling fan must be positioned in a location protected from water, wind, dust and salt. Exposure to these elements will void the warranty. Mounting the fan in a situation where it is subject to water or moisture is dangerous and may increase the risk of damage, injury or electrical shock and will void the warranty.
9. Must be assembled and installed by a licensed electrician.
10. **WARNING:** If unusual wobbling or oscillating movement is observed, immediately stop using the ceiling fan and contact the manufacturer, its service agent or suitably qualified persons.
11. The replacement of parts of the safety suspension system device shall be performed by the manufacturer, its service agent or suitably qualified persons.
12. The fixing means for attachment to the ceiling such as hooks or other devices shall be fixed with a sufficient strength to withstand 4 times the weight of the ceiling fan; that the mounting of the suspension system shall be performed by the manufacturer, its service agent or suitably qualified persons.



PARTS LIST

- Unpack your ceiling fan carefully. Remove all parts and hardware.
- Lay out all the components on a smooth surface and make sure there are no components missing before assembling. If parts are missing, return the complete product to the place of purchase for inspection or replacement.
- Check whether the ceiling fan has been damaged during transport. Do not operate/install any product which appears damaged in any way. Return the complete product to the place of purchase for inspection, repair or replacement.
- Examine all parts, you should have the following:

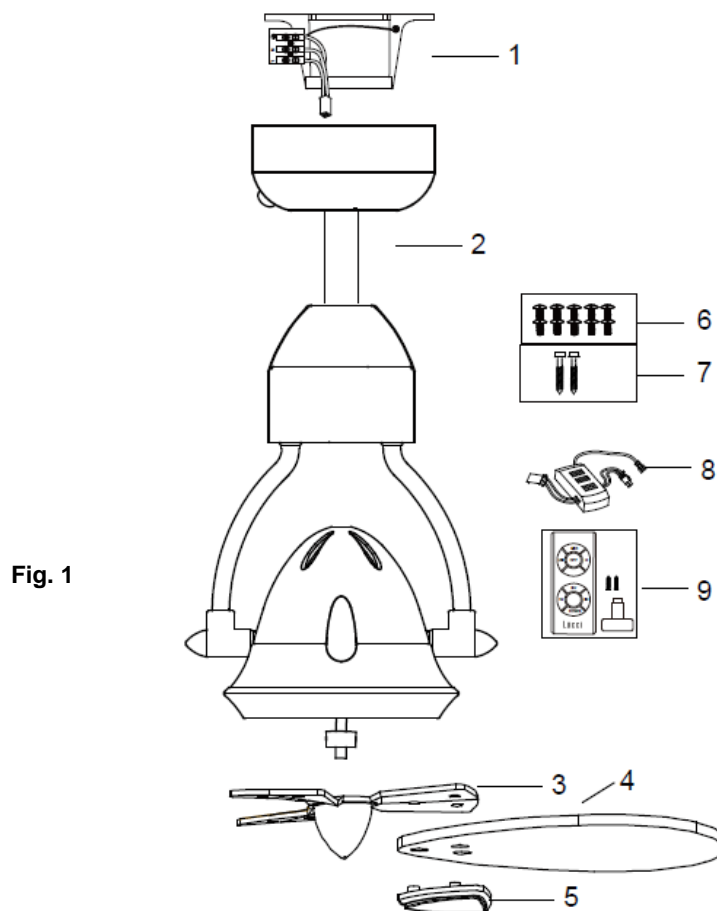


Fig. 1

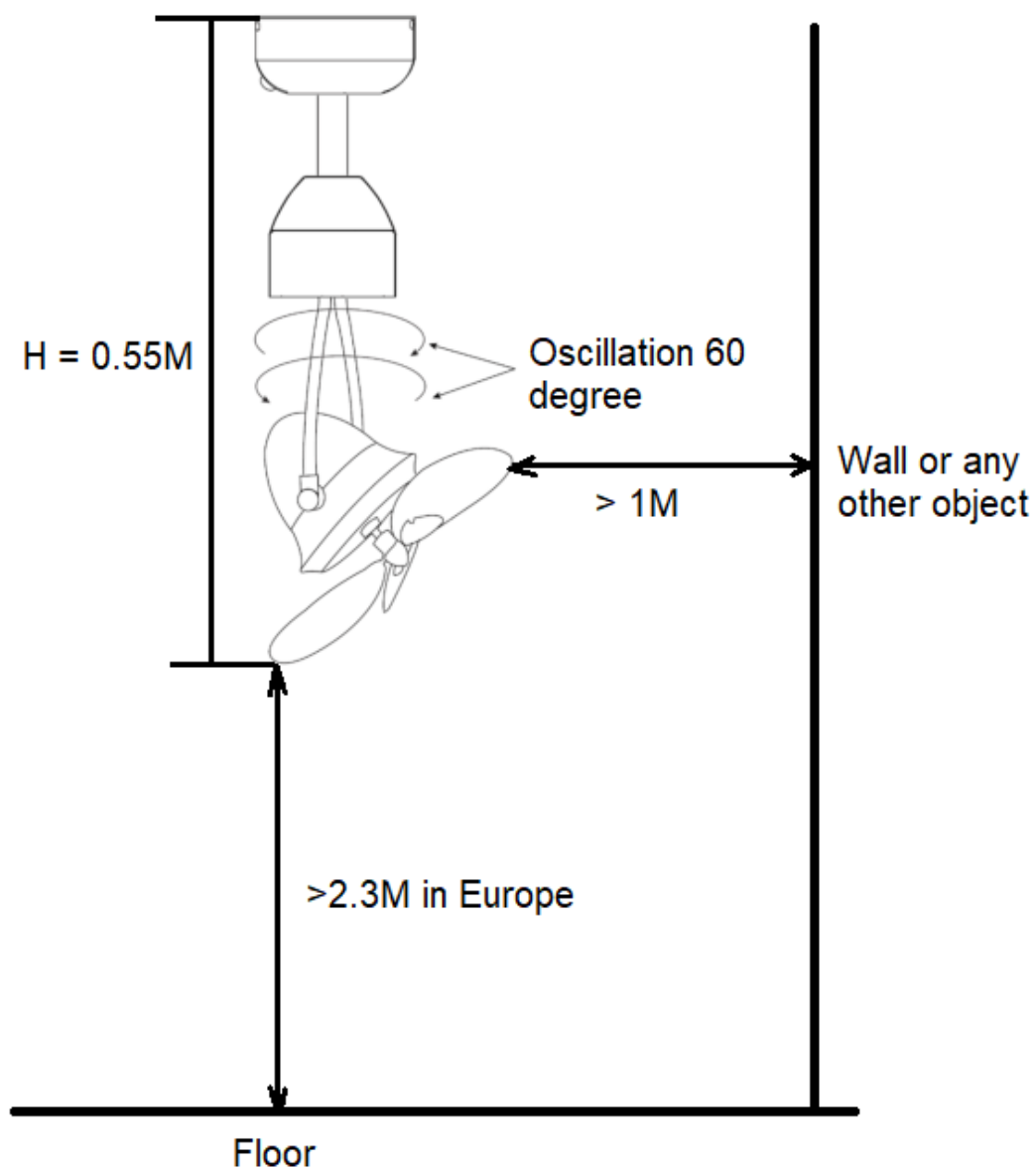
- 1 Mounting bracket x 1
- 2 Fan motor assembly x 1
- 3 Fan blade bracket x 1
- 4 Fan blades x 3
- 5 Fan blades fixing cap x 3
- 6 Fan blades screw x 9 (and 1 spare)
- 7 Screw for mounting bracket x 2
- 8 Remote receiver x 1 set
- 9 Remote transmitter x 1 set



CLEARANCE REQUIREMENT

- The fan must be installed so that the lowest point of the fan blade must be 2.3m from the floor (In Europe).
NOTE: The lowest point of the fan blade is when the fan head is adjusted to 45°.
- The ceiling fan must be installed in a location so that the blades are a minimum 1M spacing from the tip of the blade to the nearest objects or walls.
NOTE: Please be aware of that the fan head can be oscillating 60°. Please take this into consideration when selecting the installation location.

Fig. 2



INSTALLATION OF THE MOUNTING BRACKET

- Install the hanging bracket to the ceiling joist or structure that is capable of carrying a load of at least 16kg, with the two long screws provided. Ensure at least 30mm of the screw is threaded into the support. (Fig. 3)

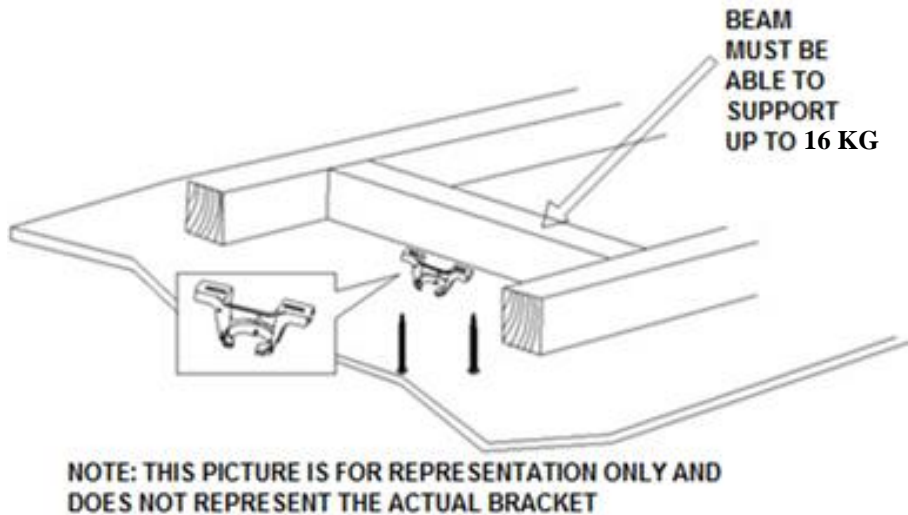


Fig. 3

NOTE: The bracket screws provided are for use with wooden structures only. For structures other than wood, the appropriate screw type **MUST** be used. Ensure the screws used are suitable for the mounting surface and the surrounding environment.

ANGLED CEILING INSTALLATION

This fan hanging system supports a maximum 13 degree angled ceiling installation. (Fig.4)

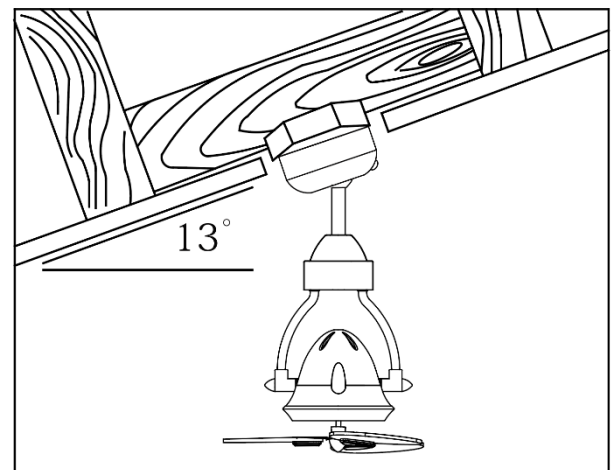


Fig. 4



INSTALLATION OF THE FAN BLADES

- Align the 3 mounting holes on the blade (3) to the 3 mounting holes of the blade bracket (2);
- Insert the fixing cap (4) into the mounting holes from the bottom of the blade (3) and secure by tightening the 3 screws (1) from the top of the blade bracket (2);
- Once completed, repeat the same process on the remaining blades.

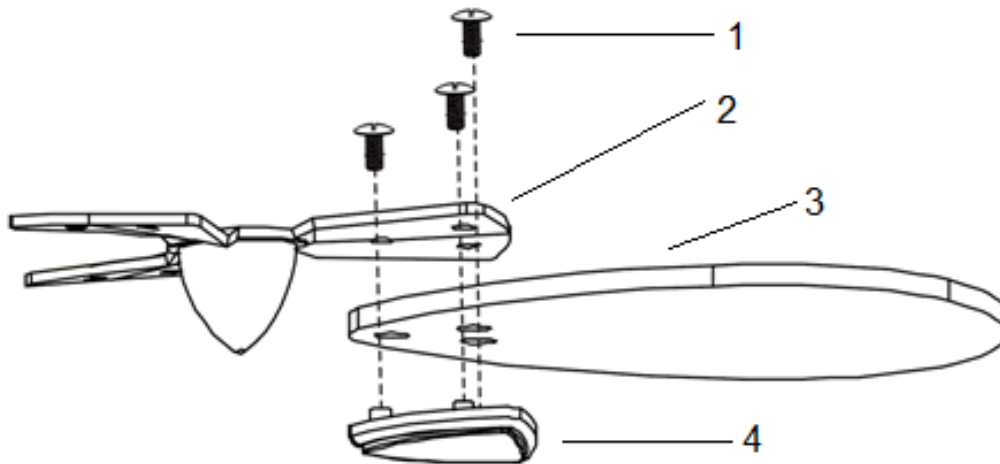


Fig. 5

- Install the assembled fan-blades (7) to the motor part (5);
- Tighten the 2 set screws (6) on the side of the motor shaft;

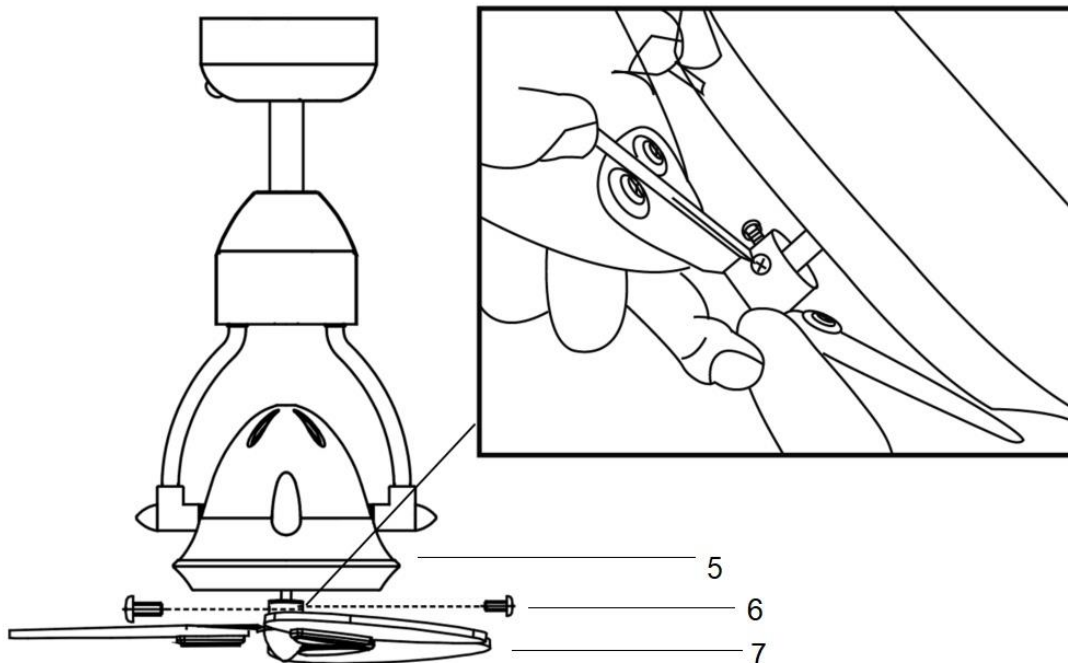


Fig. 6



HANGING THE FAN

Lift the fan assembly onto the mounting bracket. Ensure the key slot (A) of the hanger ball is positioned on the key pin (B) of the mounting bracket (C) to prevent the fan from rotating when in operation. (Fig.7A)

NOTE: Please be aware of that the fan head can be oscillating 60°. There are key slots (Fig.7B) provided on the hanger ball which allow you to adjust the direction of the fan according to your requirement.

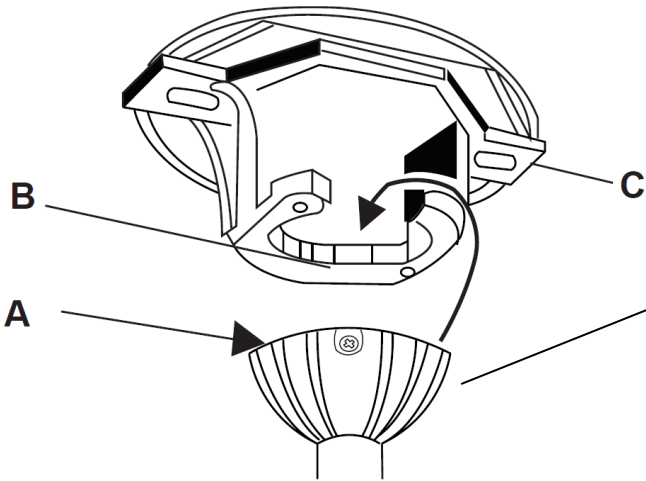


Fig. 7A



Fig. 7B



This fan is suitable for indoor and alfresco areas where the fan is fully undercover with a minimum of 2 walls. This fan is not waterproof. When installed in an alfresco area, the ceiling fan must be positioned in a location protected from water, wind, dust and salt. Exposure to these elements will void the warranty. Mounting the fan in a situation where it is subject to water or moisture is dangerous.

ADJUSTMENT OF THE FAN HEAD

- Loosen the two set screws on both sides of the motor; (Fig.8)
- Rotate the fan head and aim the arm screw at the desired angle (There are only three angles available: 0°, 45°, 90°. They are labelled on the motor part) (Fig.9)
- Retighten the set screws after adjusting to the desired angle. **Ensure the set screws are tighten and positioned well into the slot of the desired angle. (Fig.10)**

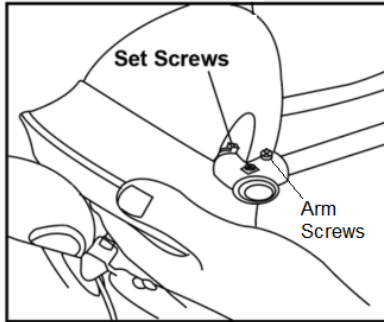


Fig. 8

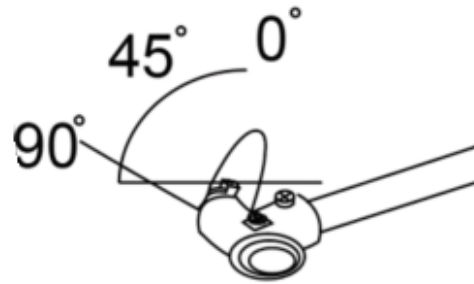
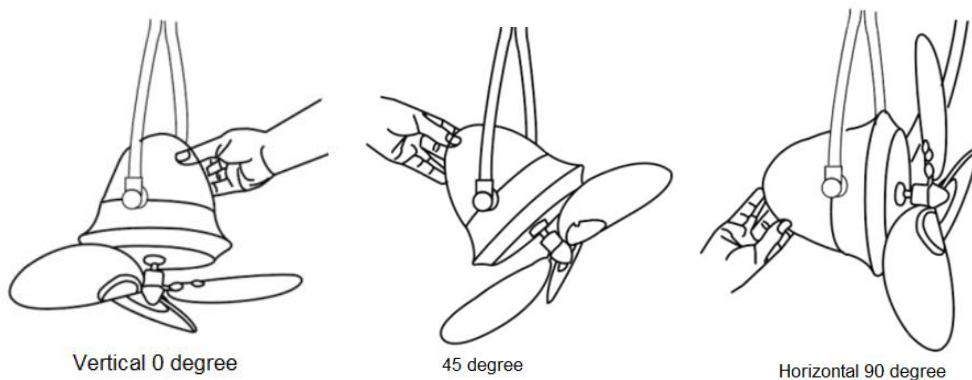


Fig. 9



Fig. 10



ELECTRICAL WIRING DIAGRAM

WARNING: FOR YOUR SAFETY ALL ELECTRICAL CONNECTIONS MUST BE UNDERTAKEN BY A LICENSED ELECTRICIAN.

NOTE: AN ADDITIONAL ALL POLE DISCONNECTION SWITCH MUST BE INCLUDED IN THE FIXED WIRING.

CAUTION: ENSURE THE EARTHING CONTINUITY ON THE METAL BODY OF THE FAN TO THE EARTH TERMINAL AFTER CONNECTING THE MOUNTING BRACKET, REMOTE RECEIVER, AND FAN MOTOR WIRING CONNECTORS TOGETHER BEFORE POWERING ON.

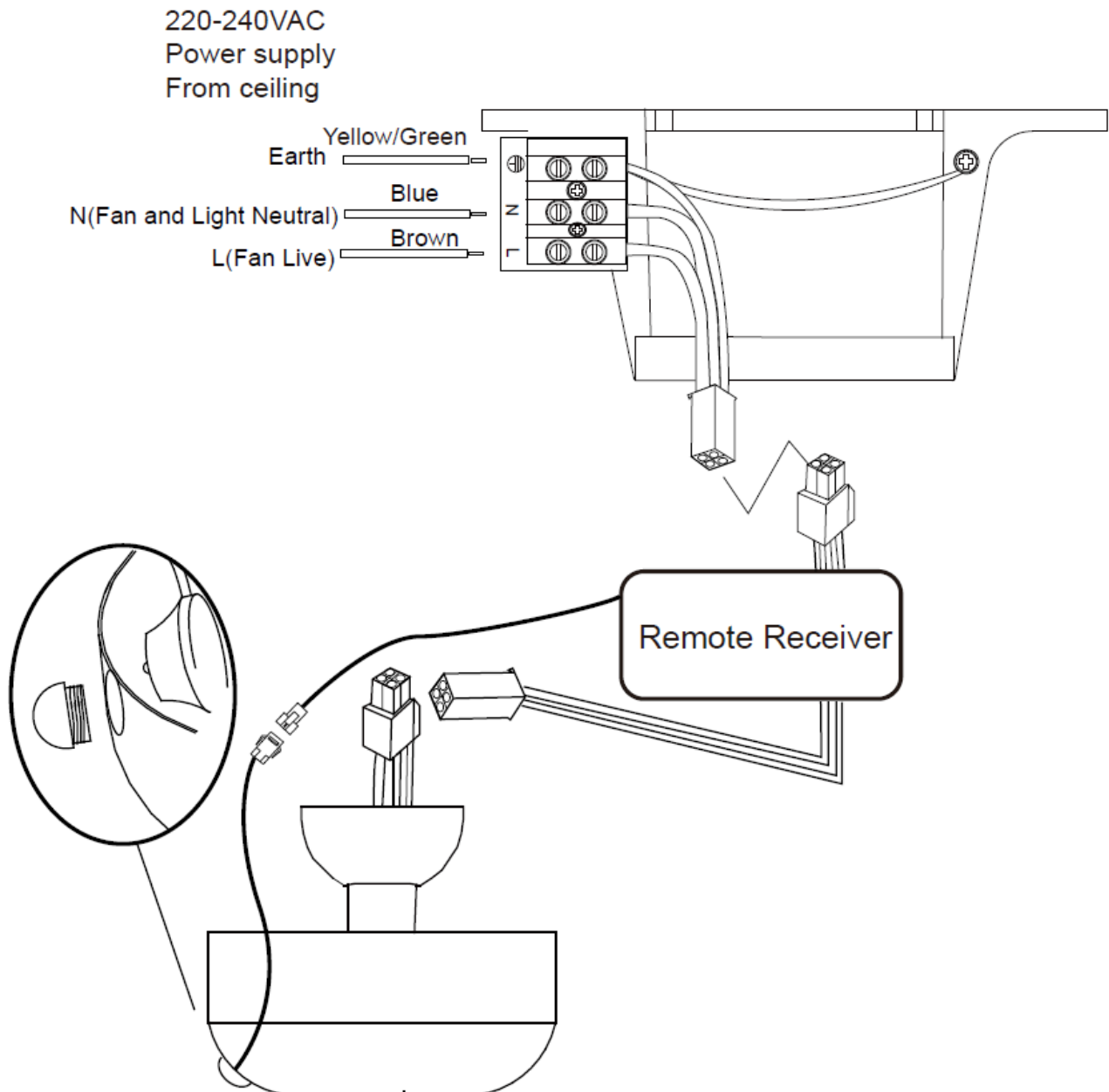


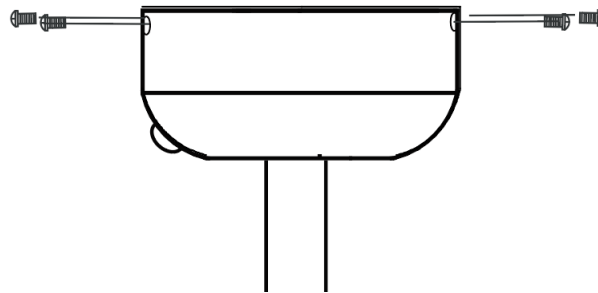
Fig. 11



This fan is suitable for indoor and alfresco areas where the fan is fully undercover with a minimum of 2 walls. This fan is not waterproof. When installed in an alfresco area, the ceiling fan must be positioned in a location protected from water, wind, dust and salt. Exposure to these elements will void the warranty. Mounting the fan in a situation where it is subject to water or moisture is dangerous.

FINISHING THE INSTALLATION

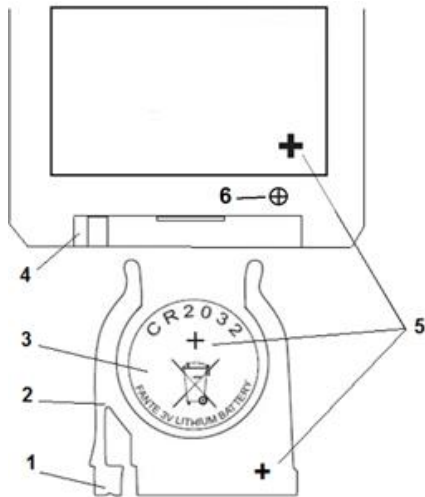
- After completing the electrical connection at the mounting bracket terminal block, connect the ceiling fan wiring via the quick connector plug.
- Ensure the earth wiring is secure and correct, by performing an earthing continuity test from the fan's accessible metal body back to the earth terminal at the terminal block on the mounting bracket.
- Cover the mounting bracket with the canopy. Ensure all electrical wiring is tucked inside the canopy and that the wires are not damaged during this step. Secure the canopy to the hanger bracket using the screws provided. (Fig. 12)
- Switch ON mains power supply to the fan. Test the fan operations or enjoy using the fan following instructions the under "USING YOUR CEILING FAN" section of this instruction manual.

**Fig.12**

USING YOUR CEILING FAN

BATTERY INSTALLATION IN THE REMOTE CONTROL (Fig.13)

Your ceiling fan is controlled by the remote control. The following must be considered before operating the remote.

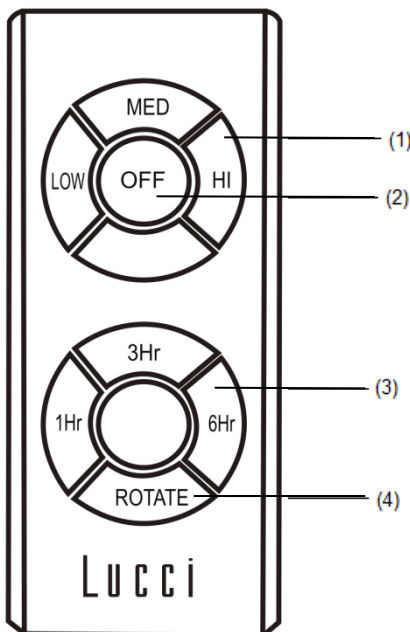


1 x CR2032 3V battery is required for the remote control.

- Remove the screw (6) and Pull out the battery tray (2) by pressing the clip (1) and pulling out the battery tray together.
- Place the battery (3) on the tray and insert the tray back to remote hand set (4) indicated by "+" polarity symbol (5).
- Ensure the polarity is correct as shown in the battery compartment.
- Reinstall the screw (6) to secure the battery tray (2).

Fig. 13

OPERATION OF THE REMOTE CONTROLLER (Fig.14)



- (1) Control of the speed (HIGH, MEDIUM, LOW);
- (2) Fan On/Off;
- (3) Timing control of the fan (1Hr, 3Hr, 6Hr). The fan will be stopped automatically after the time you selected.
- (4) 60° Oscillation On/Off

NOTE:

The remote has memory function if the mains power is turned off. It will recover from the last status when the power is turned on again.

Fig. 14



This fan is suitable for indoor and alfresco areas where the fan is fully undercover with a minimum of 2 walls. This fan is not waterproof. When installed in an alfresco area, the ceiling fan must be positioned in a location protected from water, wind, dust and salt. Exposure to these elements will void the warranty. Mounting the fan in a situation where it is subject to water or moisture is dangerous.

EFFECTIVE LOCATION FOR THE INFRA-RED CONTROL (Fig.15)

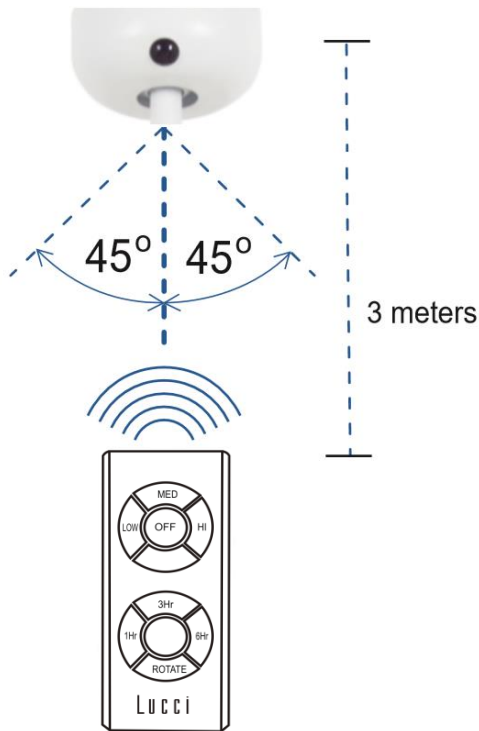


Fig. 15

The transmitter and receiver are communicated by infra-red signal. The remote controller must be operated within the following distances:

- Approximately 45° from the infra red sensor to the left & right.
- Distance from transmitter to the infra red sensor: Max.3 meters.

INSTALLATION OF THE REMOTE HOLDER (Fig.16)

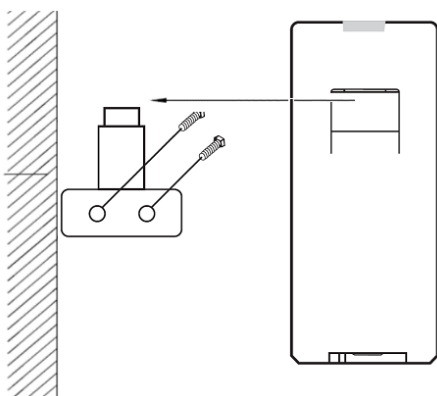


Fig. 16

Install the remote holder onto the wall by the two screws provided, then place the remote controller onto the holder.



AFTER INSTALLATION

WOBBLE:

NOTE: Ceiling fans tend to move during operation due to the fact that they are mounted on a rubber grommet. If the fan was mounted rigidly to the ceiling it would cause excessive vibration. Movement of a few centimetres is quite acceptable and DOES NOT suggest any problem.

TO REDUCE THE FAN WOBBLE: Please check that all screws which fix the mounting bracket and down rod are secure.

NOISE:

When it is quiet (especially at night) you may hear occasional small noises. Slight power fluctuations and frequency signals superimposed in the electricity for off-peak hot water control, may cause a change in fan motor noise. This is normal. Please allow a 24-hour “settling-in” period, most noises associated with a new fan disappear during this time.

The manufacturer’s warranty covers actual faults that may develop and NOT minor complaints such as hearing the motor run – All electric motors are audible to some extent.

CARE & CLEANING

NOTE: Always turn OFF the power at the mains switch before performing any maintenance or attempting to clean your fan.

- Every 6 months periodic cleaning of your fan is the only maintenance required. Use a soft brush or lint free cloth to avoid scratching the paint finish. Please turn off electricity power when you do so.
- Do not soak or immerse your fan in the water or other liquids. It could damage the motor or the blades and create the possibility of an electrical shock.
- Ensure that the fan does not come in contact with any organic solvents or cleaners.
- To clean the fan blade, wipe with only a damp clean cloth with NO organic solvents or cleaners.
- The motor has a permanently lubricated ball bearing so there is no need to oil.



SAFETY AND PRECAUTION OF THE BUTTON BATTERY

To prevent false operation during battery insertion or replacement, this ceiling fan must be disconnected from the supply mains.

- **WARNING** – Keep new and used batteries away from children.
- **CAUTION** – Do not ingest battery—Chemical burn hazard.
- Batteries must be removed from the remote transmitter before it is discarded.
- Always use Lithium CR2032 battery type with this ceiling fan remote controller.
- Dispose of exhausted batteries immediately and safely (so they cannot be retrieved by children). Flat batteries can still be dangerous. Contact your local council to safely dispose of the battery.
- Ensure the batteries are inserted with the correct polarity.
- Do not use rechargeable batteries in this product.
- Regularly check the product and make sure the battery box lid is correctly secured. If the battery compartment does not close securely, stop using the product and keep it away from children.
- Remove batteries from the product when not in use for long periods of time.
- If you think batteries might have been swallowed or placed inside any part of the body, seek immediate medical attention.

TECHNICAL INFORMATION

Fan Type	Ceiling mounted, 60° oscillating fan		
Model No./SKU#	LD-15" HAVA-ORB/ SKU# 213160	LD-15" HAVA-BLK/ SKU# 213161	LD-15" HAVA-CHW/ SKU# 213162
Colour	Orb	Black	White
Rated Voltage	220-240V~ 50Hz		
Rated Wattage	55W (51W fan motor + 4W oscillation motor)		
Battery for remote	CR2032 3V		
Weight	3.8kg		
Size	Dia: 380mm H: 550mm Max.		
Canopy Dimensions	H: 60mm Dia: 130mm		

WARRANTY INFORMATION

IN EUROPE – If you are a European customer please contact the retail outlet where the fan was purchased for warranty service.




This fan is suitable for indoor and alfresco areas where the fan is fully undercover with a minimum of 2 walls. This fan is not waterproof. When installed in an alfresco area, the ceiling fan must be positioned in a location protected from water, wind, dust and salt. Exposure to these elements will void the warranty. Mounting the fan in a situation where it is subject to water or moisture is dangerous.

D

VIELEN DANK FÜR IHREN KAUF

Vielen Dank, dass Sie sich für dieses Qualitätsprodukt von Lucci entschieden haben. Lesen und befolgen Sie bitte sorgfältig alle Anleitungen, bevor Sie das Produkt benutzen, um eine einwandfreie Funktion und Sicherheit bei Montage, Installation und Gebrauch zu gewährleisten. Bitte bewahren Sie die Anleitungen zum Nachlesen auf.

SICHERHEITSVORKEHRUNGEN

1. Dieses Gerät kann von Kindern ab 8 Jahren sowie Personen mit eingeschränkten physischen, sensorischen oder geistigen Fähigkeiten oder Mangel an Erfahrung und Wissen im Umgang mit dem Gerät verwendet werden, wenn sie beaufsichtigt oder bezüglich des sicheren Gebrauchs unterwiesen wurden und die daraus resultierenden Gefahren verstanden haben. Die Reinigung und Wartung dürfen nicht durch Kinder ohne Aufsicht erfolgen.
2. Kinder müssen beaufsichtigt werden, um sicherzustellen, dass sie nicht mit dem Gerät spielen.
3. In die feste Verkabelung muss ein allpoliger Trennschalter gemäß den örtlichen Verkabelungsvorschriften eingebaut werden.
4.  Entsorgen Sie elektrische Geräte nicht als unsortierten Hausmüll, sondern nutzen Sie separate Sammelstellen. Wenden Sie sich an Ihre Gemeindeverwaltung, um Informationen über die verfügbaren Sammelsysteme zu erhalten.
5. Wenn Elektrogeräte auf Deponien entsorgt werden, können gefährliche Stoffe in das Grundwasser eindringen und in die Nahrungskette gelangen, was Ihrer Gesundheit und Ihrem Wohlbefinden schadet.
6. Die Struktur, an der der Ventilator montiert werden soll, muss ein Gewicht von 16 kg tragen können.
7. Der Ventilator sollte in Europa so montiert werden, dass sich die Flügel mindestens 2,3 m über dem Boden befinden. (Weitere Informationen finden Sie im Abschnitt „Mindestabstände“).
8. Dieser Ventilator ist für Innen- und Außenbereiche geeignet, sofern er sich vollständig unter einem Dach befindet und von mindestens 2 Wänden umgeben ist. Dieser Ventilator ist nicht wasserfest. Im Freien muss der Deckenventilator an einem Ort installiert werden, der vor Wasser, Wind, Staub und Salz geschützt ist. Andernfalls erlischt die Garantie. Die Montage des Ventilators unter Bedingungen, unter denen er Wasser oder Feuchtigkeit ausgesetzt ist, ist gefährlich und kann das Risiko von Schäden, Verletzungen oder Stromschlägen erhöhen und führt zum Erlöschen der Garantie.
9. Das Produkt muss von einem geprüften Elektriker zusammengebaut und installiert werden.
10. **WARNUNG:** Bei ungewöhnlichen Unwucht- oder Schwenkbewegungen ist der Deckenventilator sofort außer Betrieb zu nehmen und der Hersteller, sein Servicepartner oder entsprechend qualifizierte Personen zu kontaktieren.



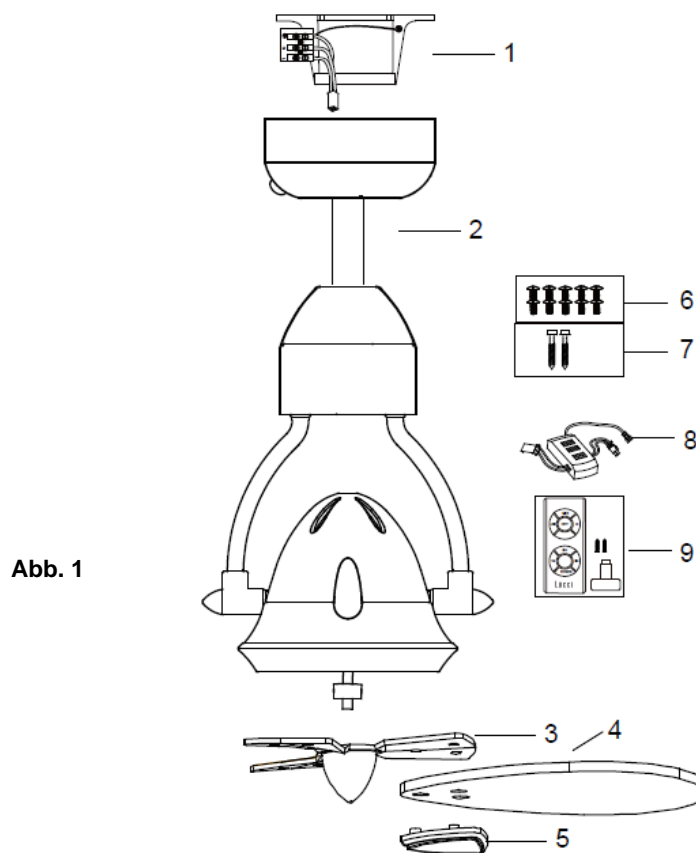
11. Teile der Sicherheitsaufhängung müssen vom Hersteller, seinem Servicepartner oder entsprechend qualifizierten Personen ausgetauscht werden.
12. Die Befestigungsmittel für die Deckenmontage, wie z. B. Haken oder andere Vorrichtungen, müssen so fest montiert werden, dass sie das 4-fache Gewicht des Deckenventilators halten können. Die Montage des Aufhängungssystems muss vom Hersteller, seinem Servicepartner oder entsprechend qualifizierten Personen ausgeführt werden.



This fan is suitable for indoor and alfresco areas where the fan is fully undercover with a minimum of 2 walls. This fan is not waterproof. When installed in an alfresco area, the ceiling fan must be positioned in a location protected from water, wind, dust and salt. Exposure to these elements will void the warranty. Mounting the fan in a situation where it is subject to water or moisture is dangerous.

TEILELISTE

- Packen Sie Ihren Deckenventilator vorsichtig aus. Entnehmen Sie alle Teile und Befestigungsmittel.
- Breiten Sie alle Bauteile auf einer glatten Fläche aus und vergewissern Sie sich vor der Montage, dass keine Teile fehlen. Falls Teile fehlen, bringen Sie das komplette Produkt zwecks Überprüfung oder Austausch zu der Verkaufsstelle zurück.
- Prüfen Sie, ob der Deckenventilator während des Transports beschädigt wurde. Benutzen bzw. montieren Sie das Produkt nicht, wenn es in irgendeiner Weise einen beschädigten Eindruck macht. Bringen Sie das komplette Produkt zwecks Überprüfung, Reparatur oder Austausch zu der Verkaufsstelle zurück.
- Überprüfen Sie alle Teile. Folgendes sollte sich im Paket befinden:



- 1 1 x Halterung
- 2 1 x Ventilatormotoreinheit
- 3 1 x Rotorblatthalterungen
- 4 3 x Rotorblätter
- 5 3 x Befestigungskappe für Rotorblätter
- 6 9 x Schraube für Rotorblätter (und 1 Ersatzschraube)
- 7 2 Schrauben für Halterung
- 8 1 x Fernbedienungsempfänger
- 9 1 x Fernbedienungssender



MINDESTABSTÄNDE

- Der Ventilator muss so installiert werden, dass sich der niedrigste Punkt des Rotorblatts 2,3 m über dem Boden befindet (in Europa).

HINWEIS: Der niedrigste Punkt des Rotorblatts ist erreicht, wenn der Ventilator auf 45° eingestellt ist.

- Der Deckenventilator muss an einer Stelle montiert werden, an dem die Rotorblattspitzen einen Mindestabstand von 1 m zu den nächsten Gegenständen oder Wänden haben.

HINWEIS: Bitte beachten Sie, dass der Ventilator um 60° schwingen kann. Bitte berücksichtigen Sie dies bei der Wahl des Montageortes.

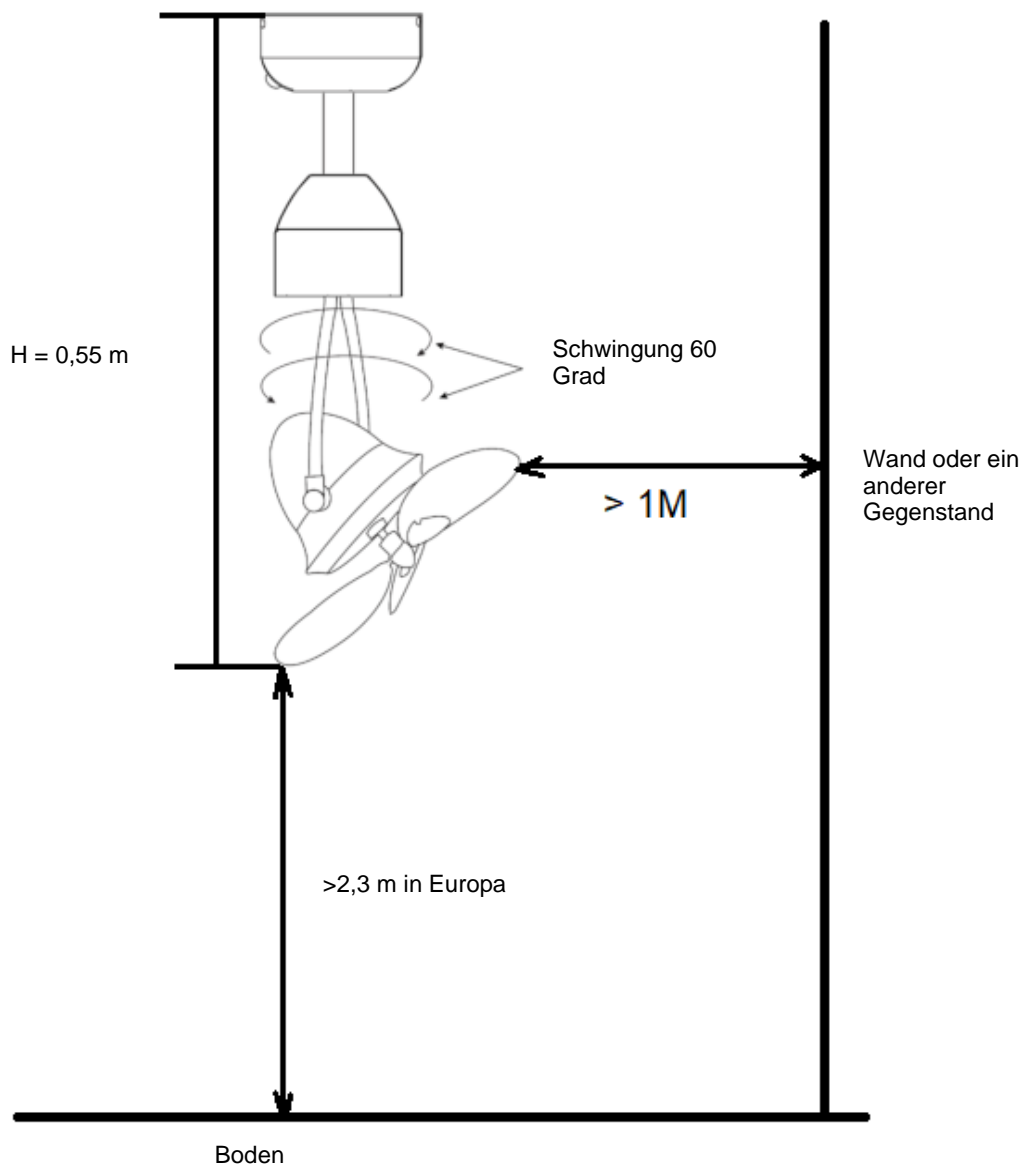
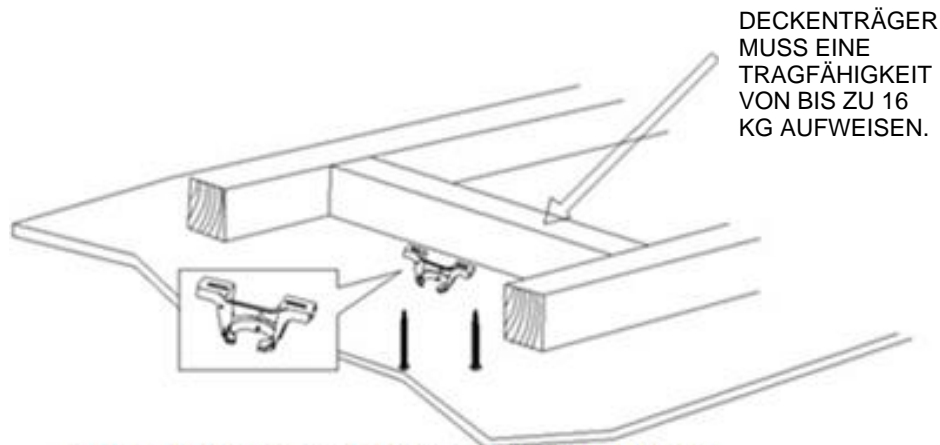


Abb. 2



MONTAGE DER HALTERUNG

- Fixieren Sie mithilfe der zwei mitgelieferten langen Schrauben die Halterung mit dem Baldachin an einem Deckenbalken oder einem Deckenträger, der mindestens eine Last von 16 kg tragen kann. Stellen Sie sicher, dass mindestens 30 mm der Schraube in das tragende Bauteil eingeschraubt sind. (Abb. 3)



DECKENTRÄGER
MUSS EINE
TRAGFÄHIGKEIT
VON BIS ZU 16
KG AUFWEISEN.

HINWEIS: DIESES BILD DIENT NUR ZUR
VERANSCHAULICHUNG UND ZEIGT NICHT DIE
TATSÄCHLICHE HALTERUNG.

Abb. 3

HINWEIS: Die mitgelieferten Befestigungsschrauben sind nur für Holzkonstruktionen geeignet. Für andere Konstruktionen als Holz MUSS der entsprechende Schraubentyp verwendet werden. Stellen Sie sicher, dass die verwendeten Schrauben für die Montagefläche und die Umgebung geeignet sind.

MONTAGE AN EINER SCHRÄGDECKE

Diese Ventilator-Aufhängung eignet sich für eine maximale Deckenschräge von 13 Grad. (Abb. 4)

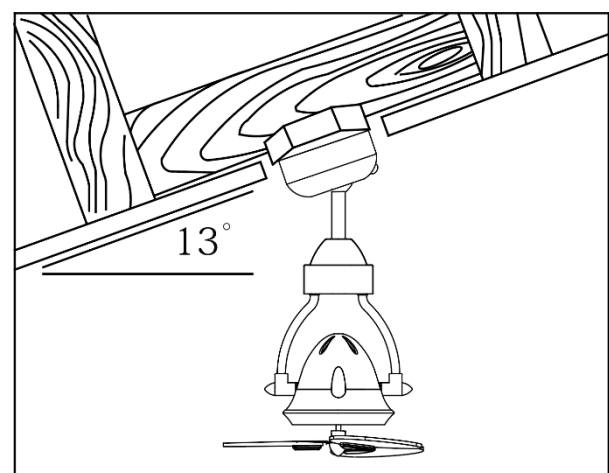


Abb. 4



INSTALLATION DER ROTORBLÄTTER

- Richten Sie die 3 Befestigungslöcher des Rotorblatts (3) auf die 3 Befestigungslöcher der Rotorblatthalterung (2) aus.
- Stecken Sie die Befestigungskappe (4) von der Unterseite des Rotorblatts (3) in die Aussparungen und ziehen Sie die 3 Schrauben (1) von der Oberseite der Rotorblatthalterung (2) fest.
- Wiederholen Sie anschließend den Vorgang für die übrigen Rotorblätter.

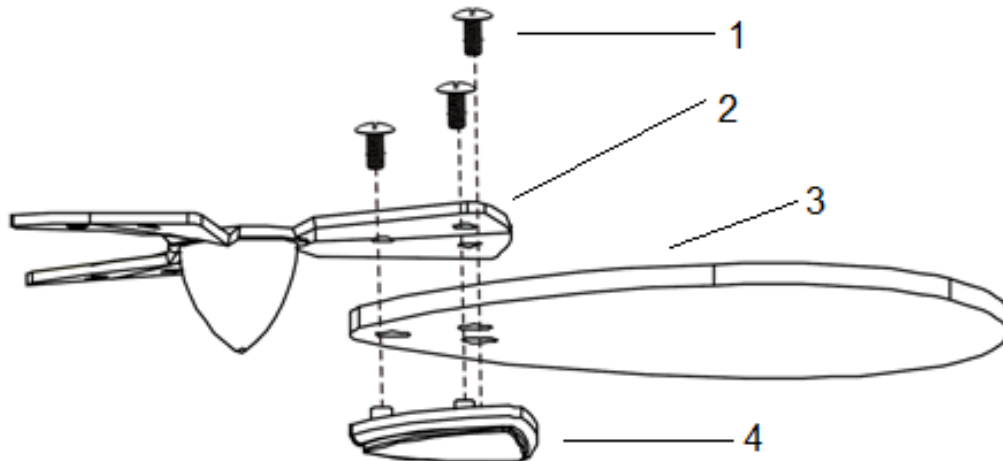


Abb. 5

- Montieren Sie die zusammengebauten Rotorblätter (7) am Motorteil (5).
- Ziehen Sie die 2 Stellschrauben (6) an der Seite der Motorwelle fest.

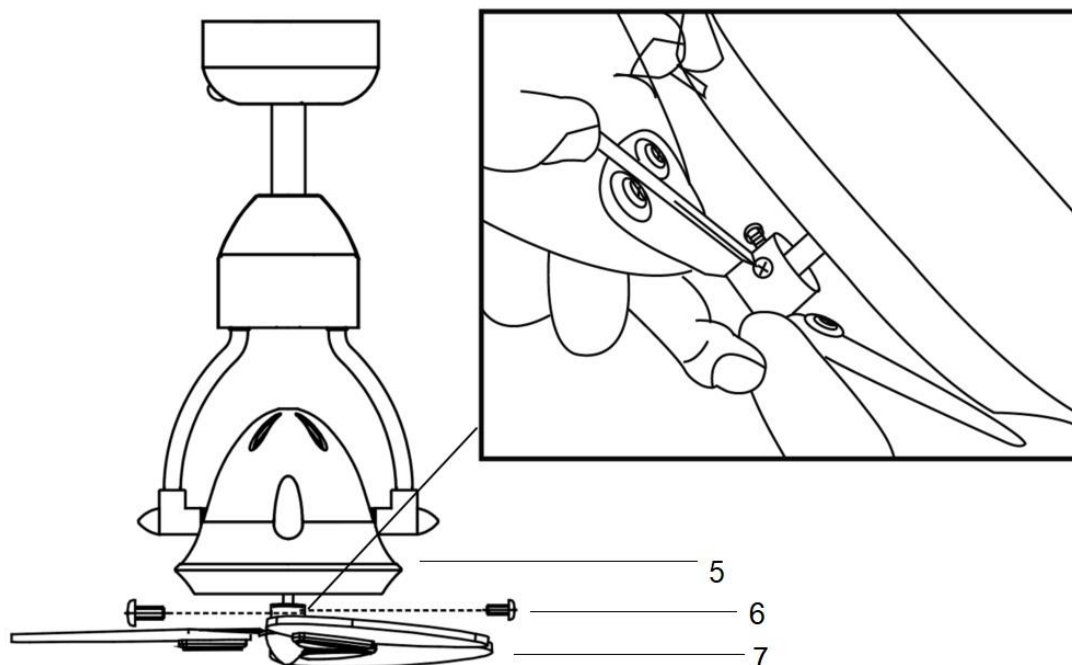


Abb. 6



AUFHÄNGEN DES VENTILATORS

Setzen Sie den kompletten Ventilator in die Halterung ein. Achten Sie darauf, dass der Passstift (B) der Halterung (C) in die Sicherungsnut (A) der Kugelaufhängung greift, um ein Verdrehen des Ventilators im Betrieb zu verhindern. (Abb. 7A)

HINWEIS: Bitte beachten Sie, dass der Ventilatorkopf um 60° schwingen kann. Auf der Kugel der Aufhängung befinden sich Keilnuten (Abb. 7B), mit denen Sie die Richtung des Ventilators nach Ihren Wünschen einstellen können.

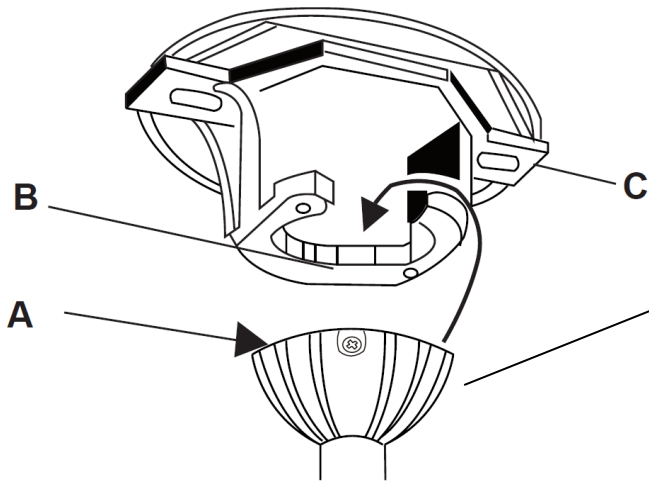


Abb. 7A

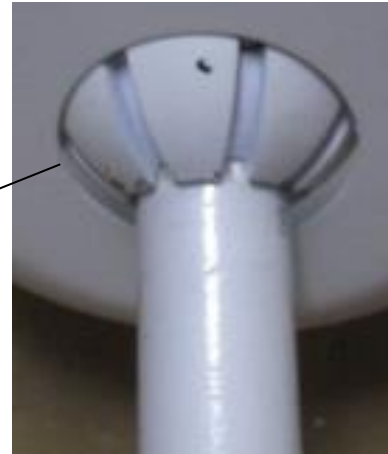


Abb. 7B



Einstellung des Ventilatorkopfes

- Lösen Sie die beiden Stellschrauben auf beiden Seiten des Motors (Abb.8).
- Drehen Sie den Ventilatorkopf und richten Sie die Armschraube auf den gewünschten Winkel aus (es sind nur drei Winkel möglich): 0°, 45°, 90° (sie sind auf dem Motorteil beschriftet) (Abb. 9)
- Ziehen Sie die Stellschrauben nach dem Einstellen des gewünschten Winkels wieder an. **Vergewissern Sie sich, dass die Stellschrauben fest angezogen und gut in der Nut des gewünschten Winkels positioniert sind. (Abb. 10)**

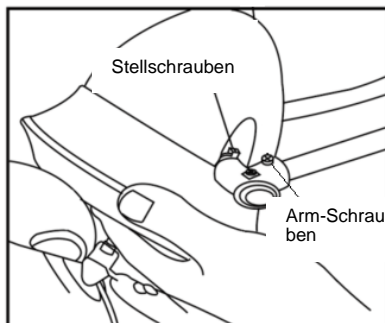


Abb. 8

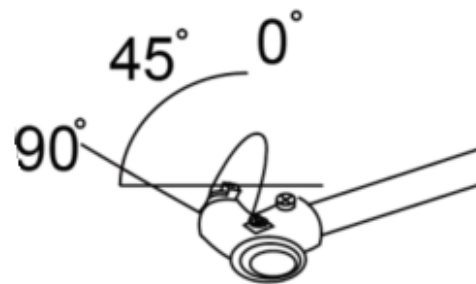
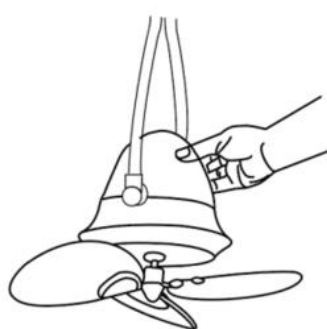


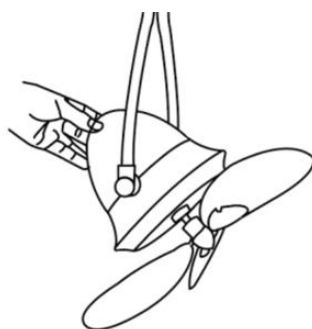
Abb. 9



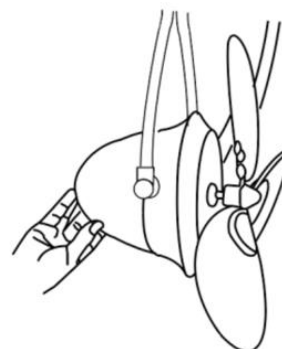
Abb. 10



Vertikal 0 Grad



45 Grad



Horizontal 90 Grad

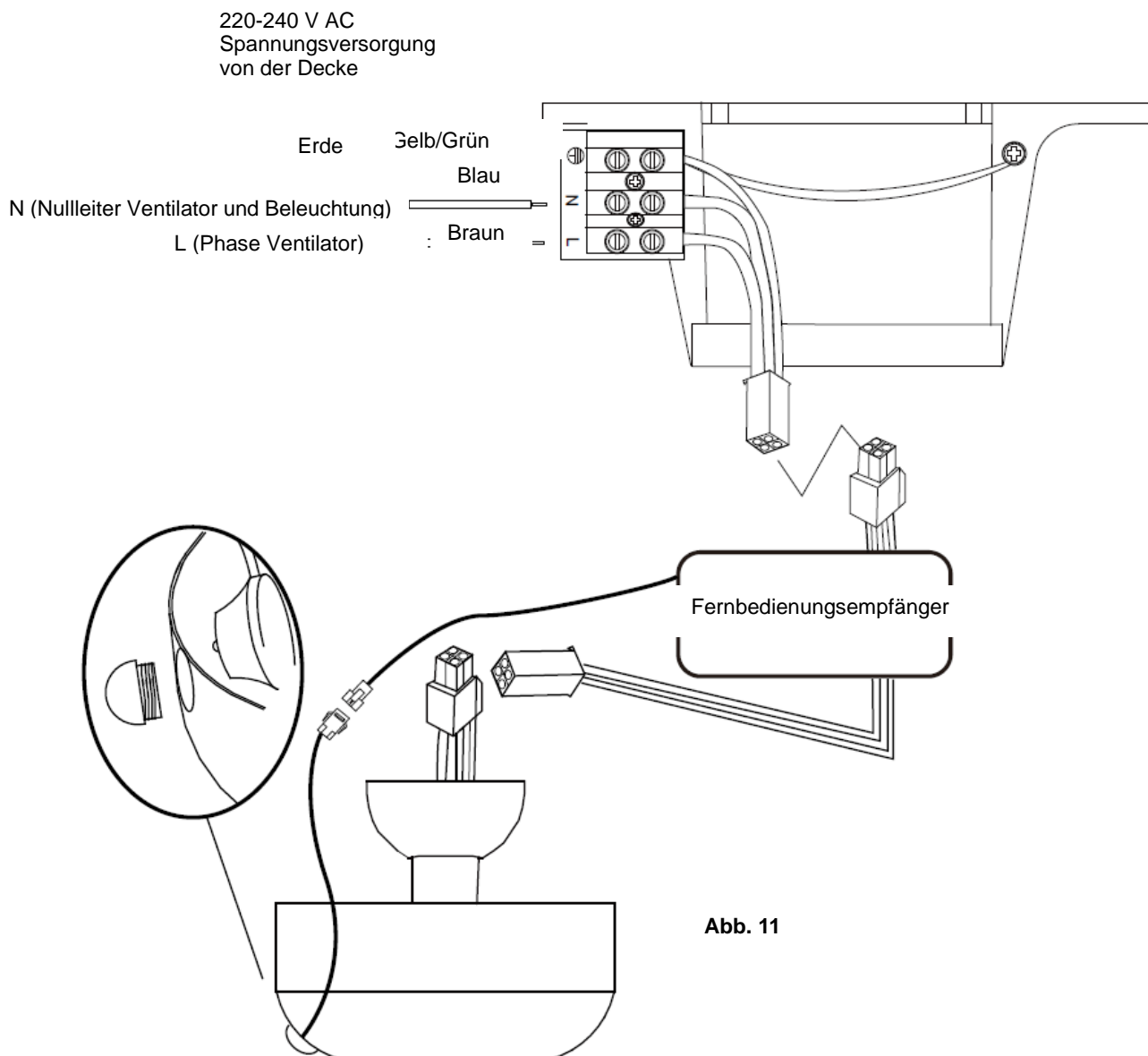


BLOCKSCHALTBILD

WARNUNG: ZUR EIGENEN SICHERHEIT SOLLTEN ALLE ELEKTRISCHEN ANSCHLÜSSE VON EINEM GEPRÜFTEN ELEKTRIKER HERGESTELLT WERDEN.

HINWEIS: IN DER FESTVERDRAHTUNG SOLLTE EIN ZUSÄTZLICHER TRENNSCHALTER FÜR ALLE PHASEN VORGESEHEN WERDEN.

VORSICHT: STELLEN SIE VOR DEM EINSCHALTEN DES GERÄTS SICHER, DASS DIE ERDUNG AM METALLGEHÄUSE DES VENTILATORS DURCHGEHEND MIT DER ERDUNGSKLEMME VERBUNDEN IST, NACHDEM SIE DIE ANSCHLÜSSE DER MONTAGEHALTERUNG, DES FERNBEDIENUNGSEMPFÄNGERS UND DES VENTILATORMOTORS MITEINANDER VERBUNDEN HABEN.



ABSCHLUSS DER INSTALLATION

- Nachdem Sie den elektrischen Anschluss an der Klemmleiste der Halterung hergestellt haben, können Sie die Verkabelung des Deckenventilators über die Schnellkupplung anschließen.
- Vergewissern Sie sich, dass die Erdungsleitung korrekt und fest angeschlossen ist. Testen Sie dazu die Erdungsleitung zwischen einem zugänglichen Teil des Metallkörpers am Ventilator und dem Masseanschluss an der Klemmleiste der Montagehalterung auf Durchgang.
- Bringen Sie die Konsole über der Halterung an. Achten Sie darauf, dass alle Elektrokabel unter der Konsole verlegt sind und dass bei diesem Schritt keine Kabel eingeklemmt werden. Schrauben Sie die Konsole mit den beiliegenden Schrauben an der Aufhängung an. (Abb. 12)
- Schalten Sie die Stromversorgung EIN. Testen Sie den Ventilatorbetrieb oder nehmen Sie ihn anhand der Anweisungen im Abschnitt „BENUTZUNG DES DECKENVENTILATORS“ dieser Bedienungsanleitung in Betrieb.

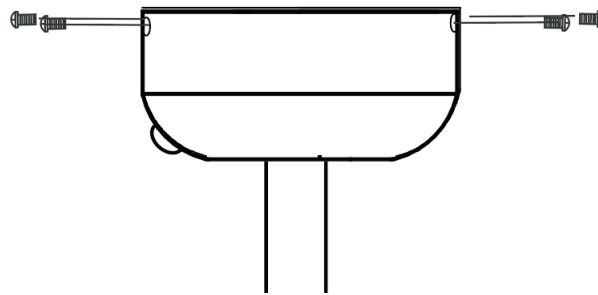


Abb. 12



BENUTZUNG DES DECKENVENTILATORS

INSTALLATION DER BATTERIE IN DER FERNBEDIENUNG (Abb.13)

Ihr Deckenventilator wird über die Fernbedienung gesteuert. Bevor Sie die Fernbedienung in Betrieb nehmen, müssen Sie folgende Punkte beachten.

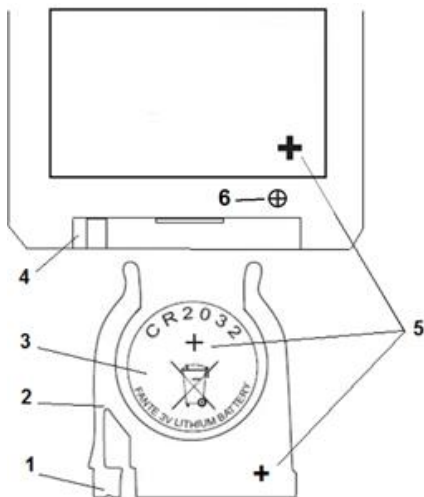


Abb. 13

Für die Fernbedienung wird 1 x 3-V-Batterie vom Typ CR2032 benötigt.

- Entfernen Sie die Schraube (6) und ziehen Sie das Batteriefach (2) heraus, indem Sie auf den Clip (1) drücken und das Batteriefach herausziehen.
- Legen Sie die Batterie (3) in das Fach und setzen Sie es wieder in die Fernbedienung (4) ein, die mit dem Polaritätssymbol "+" (5) gekennzeichnet ist.
- Dabei auf die richtige Polarität achten, die im Batteriefach schematisch dargestellt ist.
- Bringen Sie die Schraube (6) wieder an, um das Batteriefach (2) zu verschließen.

Bedienung der Fernsteuerung (Abb.14)

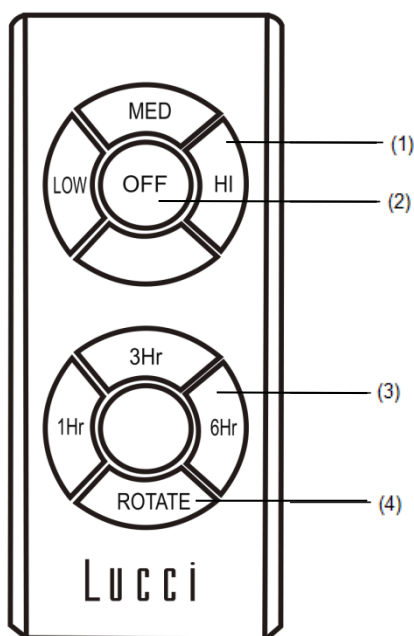


Abb. 14

- (1) Steuerung der Geschwindigkeit (HIGH (Hoch), MEDIUM (Mittel), LOW (Niedrig));
- (2) Ventilator ein/aus;
- (3) Zeitsteuerung des Ventilators (1 Std., 3 Std., 6 Std.). Der Ventilator wird nach der von Ihnen gewählten Zeit automatisch abgeschaltet.
- (4) 60°-Schwingung ein/aus

HINWEIS:

Die Fernbedienung verfügt über eine Speicherfunktion, wenn der Netzstrom ausgeschaltet wird. Der letzte Zustand wird wiederhergestellt, wenn die Stromversorgung wieder eingeschaltet wird.



This fan is suitable for indoor and alfresco areas where the fan is fully undercover with a minimum of 2 walls. This fan is not waterproof. When installed in an alfresco area, the ceiling fan must be positioned in a location protected from water, wind, dust and salt. Exposure to these elements will void the warranty. Mounting the fan in a situation where it is subject to water or moisture is dangerous.

EFFEKTIVER STANDORT FÜR DIE INFRA-ROT-STEUERUNG (Abb. 15)

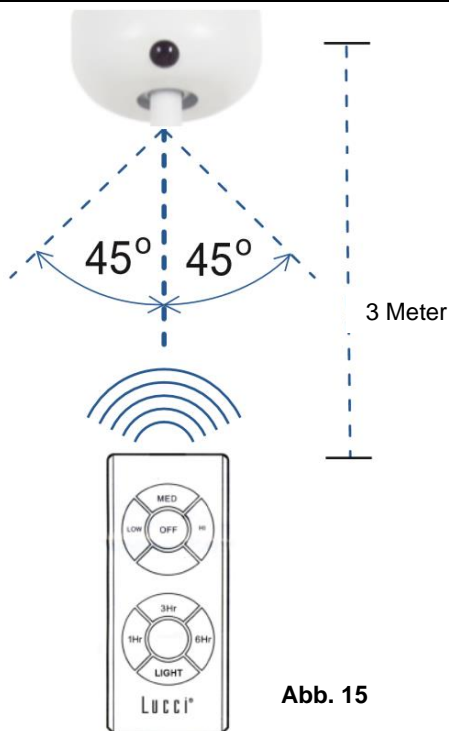


Abb. 15

Die Kommunikation zwischen Sender und Empfänger erfolgt über ein Infrarotsignal. Die Fernbedienung muss innerhalb der folgenden Abstände betrieben werden:

- Ungefähr 45° vom Infrarotsensor nach links und rechts.
- Abstand vom Sender zum Infrarotsensor: Max. 3 Meter.

MONTAGE DER FERNBEDIENUNGSHALTERUNG (Abb. 16)

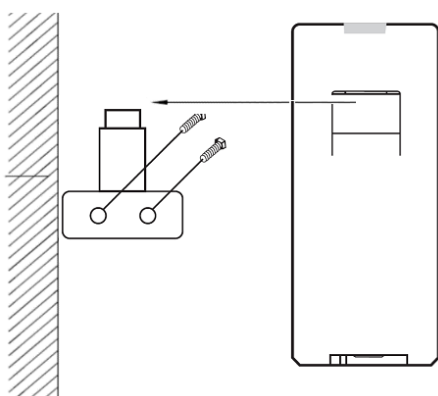


Abb. 16

Befestigen Sie den Fernbedienungshalter mit den beiden mitgelieferten Schrauben an der Wand und setzen Sie dann die Fernbedienung auf den Halter.



NACH DER MONTAGE**UNRUNDE BEWEGUNG:**

HINWEIS: Deckenventilatoren neigen dazu, während des Betriebs unrund zu laufen, da sie auf einer Gummidichtung montiert sind. Wenn der Ventilator fest an der Zimmerdecke montiert wäre, würde er übermäßige Vibrationen erzeugen. Eine Pendelbewegung von wenigen Zentimetern ist akzeptabel und weist nicht auf ein Problem hin.

VENTILATORUNWUCHT VERRINGERN: Prüfen Sie bitte, ob alle Schrauben, die die Halterung und die Deckenstange fixieren, angezogen sind.

GERÄUSCHE:

In einer ruhigen Umgebung (insbesondere nachts) hören Sie gelegentlich vielleicht leise Geräusche. Leichte Stromschwankungen und Frequenzsignale, die zwecks Warmwasserregulierung außerhalb der Hauptlastzeiten auf das Leitungsnetz übersprechen, können sich auf die Geräusentwicklung des Ventilatormotors auswirken. Dies ist normal. Bitte haben Sie Geduld. Nach einer „Einlaufzeit“ von 24 Stunden verschwinden die meisten durch einen neuen Ventilator erzeugten Geräusche.

Die Herstellergarantie deckt reale Mängel ab, die auftreten können, jedoch KEINE geringfügigen Beanstandungen, wie zum Beispiel ein hörbar laufender Motor – alle Elektromotoren geben gewisse Geräusche ab.

PFLEGE UND REINIGUNG

HINWEIS: Schalten Sie vor Reinigungs- und Pflegearbeiten am Ventilator immer die Stromversorgung am Hauptschalter aus.

- Die regelmäßige halbjährliche Reinigung Ihres Ventilators ist die einzige Wartung, die erforderlich ist. Benutzen Sie eine weiche Bürste oder ein fusselfreies Tuch, um zu verhindern, dass die Lackierung zerkratzt wird. Bitte schalten Sie die Stromversorgung aus, wenn Sie das Gerät reinigen.
- Tauchen Sie den Ventilator NICHT in Wasser oder andere Flüssigkeiten ein. Dadurch könnten der Motor oder die Rotorblätter beschädigt und möglicherweise ein Stromschlag verursacht werden.
- Achten Sie darauf, dass der Ventilator nicht mit organischen Lösungsmitteln oder Reinigungsmitteln in Berührung kommt.
- Wischen Sie die Rotorblätter nur mit einem feuchten Tuch OHNE organische Lösungsmittel oder Reinigungsmittel sauber.
- Der Motor ist mit einem dauergeschmierten Kugellager versehen. Er muss also nicht geschmiert werden.



SICHERHEIT UND VORSICHTSMASSNAHMEN FÜR DIE KNOPFBATTERIE

Um Fehler beim Einsetzen oder Auswechseln der Batterien zu vermeiden, muss der Deckenventilator vom Stromnetz getrennt werden.

- **WARNUNG** – Halten Sie neue und gebrauchte Batterien von Kindern fern.
- **VORSICHT** – Batterie nicht verschlucken – Verätzungsgefahr.
- Die Batterien müssen aus der Fernbedienung entfernt werden, bevor sie entsorgt wird.
- Verwenden Sie mit dieser Deckenventilator-Fernbedienung immer eine Lithium-Batterie vom Typ CR2032.
- Entsorgen Sie verbrauchte Batterien sofort und sicher (sodass sie von Kindern nicht gefunden werden können). Leere Batterien können weiterhin gefährlich sein. Wenden Sie sich an Ihre örtliche Gemeindeverwaltung, um die Batterie sicher zu entsorgen.
- Achten Sie darauf, dass die Batterien mit der richtigen Polarität eingelegt sind.
- Verwenden Sie in diesem Produkt keine wiederaufladbaren Batterien.
- Überprüfen Sie das Produkt regelmäßig und vergewissern Sie sich, dass der Deckel des Batteriefachs richtig befestigt ist. Wenn sich das Batteriefach nicht korrekt schließen lässt, stellen Sie den Gebrauch des Gerätes ein und halten Sie es von Kindern fern.
- Entfernen Sie die Batterien aus dem Gerät, wenn Sie es über einen längeren Zeitraum nicht benutzen.
- Wenn Sie glauben, dass Batterien verschluckt wurden oder in einen Teil des Körpers eingeführt wurden, suchen Sie sofort einen Arzt auf.

TECHNISCHE DATEN

Ventilator-Typ	An der Decke montierter, um 60° schwingender Ventilator		
Modell-Nr./Artikelnr.	LD-15" HAVA-ORB/ Artikelnr. 213160	LD-15" HAVA-BLK/ Artikelnr. 213161	LD-15" HAVA-CHW/ Artikelnr. 213162
Farbe	Orb	Schwarz	Weiß
Nennspannung	220-240 V~ 50 Hz		
Nennleistung	55 W (51-W-Ventilatormotor + 4-W-Schwingungsmotor)		
Batterien für Fernbedienung	CR2032 3 V		
Gewicht	3,8 kg		
Größe	Durchmesser: 380 mm H: 550 mm Max.		
Maße der Konsole	H: 60 mm Durchmesser: 130 mm		

GARANTIEINFORMATIONEN

IN EUROPA – Wenn Sie ein europäischer Kunde sind, wenden Sie sich bitte an das Geschäft, in dem der Ventilator gekauft wurde, um Garantieleistungen in Anspruch zu nehmen.



This fan is suitable for indoor and alfresco areas where the fan is fully undercover with a minimum of 2 walls. This fan is not waterproof. When installed in an alfresco area, the ceiling fan must be positioned in a location protected from water, wind, dust and salt. Exposure to these elements will void the warranty. Mounting the fan in a situation where it is subject to water or moisture is dangerous.


**MERCI POUR VOTRE ACHAT**

Nous vous remercions d'avoir acheté ce produit de qualité Lucci. Afin de garantir un fonctionnement correct et sûr, veuillez lire attentivement et respecter toutes les consignes avant d'assembler, d'installer et d'utiliser ce ventilateur de plafond. Veuillez conserver ce mode d'emploi pour pouvoir le consulter ultérieurement.

CONSIGNES DE SÉCURITÉ

1. Cet appareil peut être utilisé par des enfants âgés de plus de 8 ans et des personnes ayant des capacités physiques, sensorielles et mentales réduites ou un manque d'expérience et de connaissances si elles sont surveillées ou si elles ont reçu des instructions concernant l'utilisation de l'appareil en toute sécurité et si elles comprennent les dangers encourus. Le nettoyage et l'entretien ne doivent pas être effectués par des enfants sans surveillance.
2. Il convient de surveiller les enfants pour s'assurer qu'ils ne jouent pas avec l'appareil.
3. Un interrupteur de déconnexion omnipolaire doit être incorporé dans le câblage fixe, conformément aux règles de câblage locales.



4.  Ne jetez pas les appareils électriques avec les déchets municipaux non triés, utilisez des points de collecte séparés. Contactez les autorités locales pour obtenir des informations sur les systèmes de collecte disponibles.
5. Si des appareils électriques sont envoyés en décharges légales ou illégales, des substances dangereuses peuvent fuir dans les nappes phréatiques et entrer dans la chaîne alimentaire, nuisant ainsi à votre santé et à votre bien-être.
6. La structure sur laquelle le ventilateur est fixé doit être capable de supporter un poids de 16 kg.
7. Le ventilateur doit être fixé de sorte que les pales soient à au moins 2,3 m au-dessus du sol en Europe. (Consultez la section « Exigences relatives au dégagement » pour plus d'informations.)
8. Ce ventilateur convient pour une utilisation en intérieur et en plein air, à condition d'être dans un emplacement entièrement couvert avec 2 murs minimum. Ce ventilateur n'est pas étanche. Lorsqu'il est installé en plein air, le ventilateur de plafond doit être placé dans un endroit protégé de l'eau, du vent, de la poussière et du sel. L'exposition aux éléments susmentionnés entraîne l'annulation de la garantie. Fixer le ventilateur à un emplacement où il est soumis à l'eau ou à l'humidité est dangereux et peut augmenter le risque de dommage, de blessure ou de choc électrique et annule la garantie.
9. Ce produit doit être assemblé et installé par un électricien agréé.
10. **AVERTISSEMENT** : Si vous observez des tremblements ou des oscillations inhabituels, arrêtez immédiatement d'utiliser le ventilateur de plafond et contactez le fabricant, son agent de maintenance ou une personne dûment qualifiée.



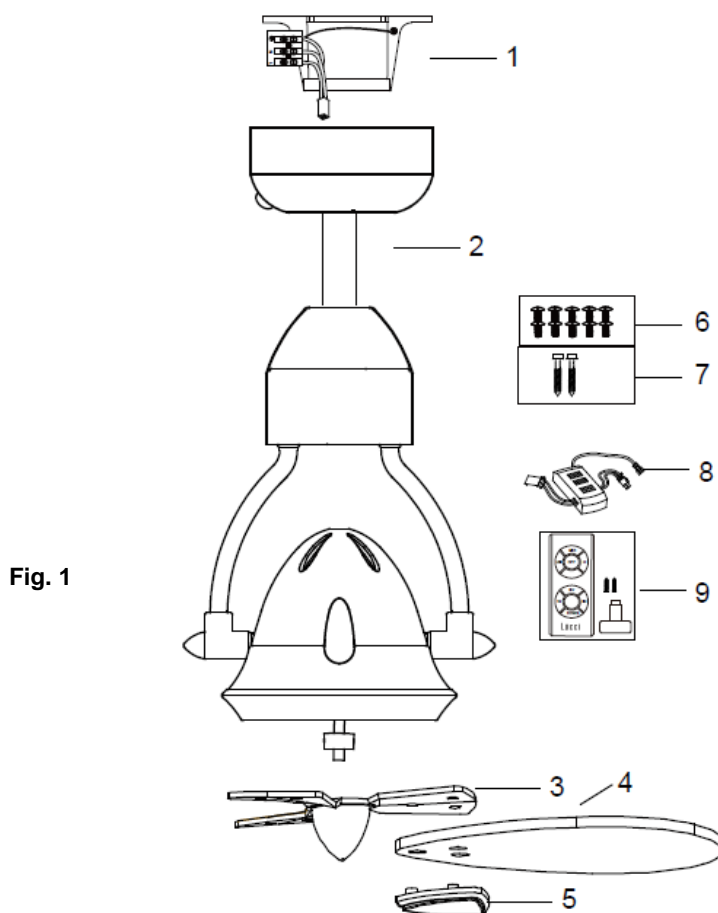
11. Le remplacement des pièces du dispositif de suspension de sécurité doit être effectué par le fabricant, son agent de maintenance ou des personnes dûment qualifiées.
12. Les moyens de fixation du ventilateur au plafond, tels que les crochets ou autres dispositifs, doivent être fixés avec une résistance suffisante pour supporter 4 fois le poids du ventilateur de plafond ; le montage du système de suspension doit être effectué par le fabricant, son agent d'entretien ou des personnes dûment qualifiées.



This fan is suitable for indoor and alfresco areas where the fan is fully undercover with a minimum of 2 walls. This fan is not waterproof. When installed in an alfresco area, the ceiling fan must be positioned in a location protected from water, wind, dust and salt. Exposure to these elements will void the warranty. Mounting the fan in a situation where it is subject to water or moisture is dangerous.

LISTE DES PIÈCES

- Déballez soigneusement votre ventilateur de plafond. Retirez toutes les pièces et le matériel.
- Disposez tous les éléments sur une surface lisse et assurez-vous qu'aucun élément ne manque avant de procéder à l'assemblage. Si des pièces manquent, retournez le produit complet au lieu d'achat afin qu'il soit inspecté ou remplacé.
- Vérifiez si le ventilateur de plafond a été endommagé pendant le transport. N'utilisez/n'installez pas un produit présentant des dommages de quelque nature que ce soit. Ramenez le produit dans son intégralité au point de vente afin qu'il soit inspecté, réparé ou remplacé.
- Examinez toutes les pièces, vous devez avoir les éléments suivants :



- 1 Support de montage x 1
- 2 Bloc moteur du ventilateur x 1
- 3 Support des pales de ventilateur x 1
- 4 Pales de ventilateur x 3
- 5 Capuchon de fixation des pales de ventilateur x 3
- 6 Vis pour pales de ventilateur x 9 (et 1 de rechange)
- 7 Vis pour support de montage x 2
- 8 Récepteur de la télécommande x 1 ensemble
- 9 Émetteur de la télécommande x 1 ensemble



EXIGENCES RELATIVES AU DÉGAGEMENT

- Le ventilateur doit être installé de sorte que le point le plus bas de la pale du ventilateur soit à 2,3 m du sol (en Europe).

REMARQUE : Le point le plus bas de la pale du ventilateur correspond au réglage de la tête du ventilateur à 45°.

- Le ventilateur de plafond doit être installé dans un endroit tel que les pales soient espacées d'au moins 1 mètre de l'extrémité de la pale aux objets ou murs les plus proches.

REMARQUE : Veuillez noter que la tête du ventilateur peut osciller à 60°. Veuillez le prendre en compte lors de la sélection de l'emplacement d'installation.

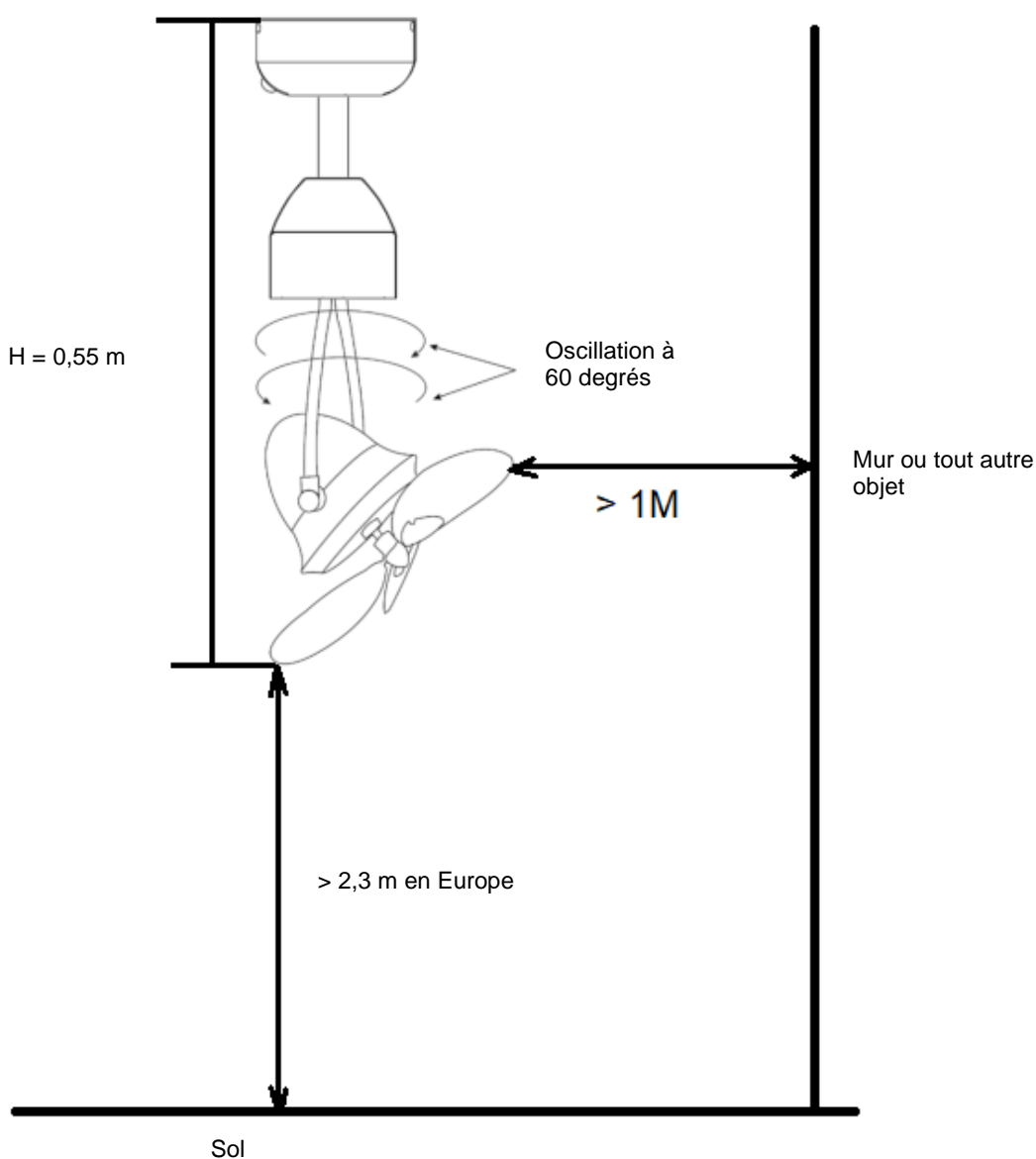
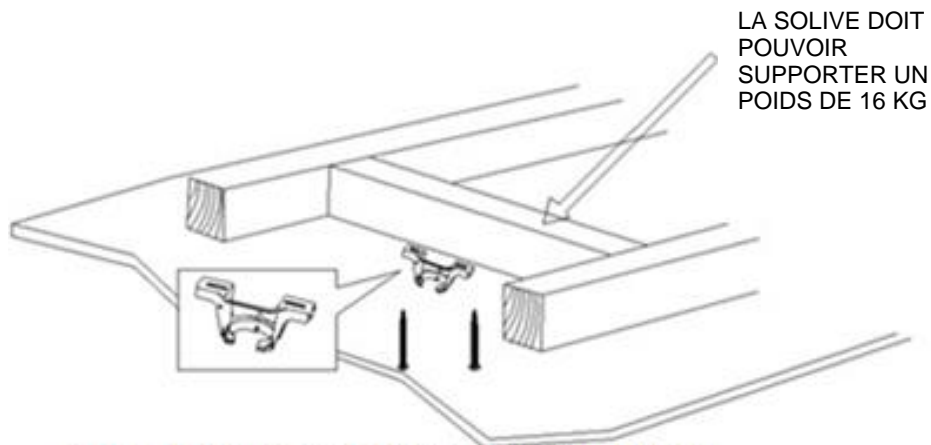


Fig. 2



INSTALLATION SUR LE SUPPORT DE MONTAGE

- Installez le support de suspension sur une solive ou une structure capable de supporter une charge d'au moins 16 kg, avec les deux vis longues fournies. Veillez à ce qu'au moins 30 mm des vis soient vissés dans le support. (Fig. 3)



REMARQUE : CETTE ILLUSTRATION N'EST FOURNIE QU'À TITRE INDICATIF ET NE REPRÉSENTE PAS LE SUPPORT RÉEL

Fig. 3

REMARQUE : Les vis de support fournies conviennent uniquement pour les structures en bois. Pour les structures autres que du bois, un type de vis approprié doit **IMPÉRATIVEMENT** être utilisé. Veillez à ce que les vis utilisées soient adaptées à la surface de montage et à l'environnement.

INSTALLATION SUR PLAFOND INCLINÉ

Ce système de suspension de ventilateur permet une installation sur plafond incliné de 13° de pente au maximum. (Fig. 4)

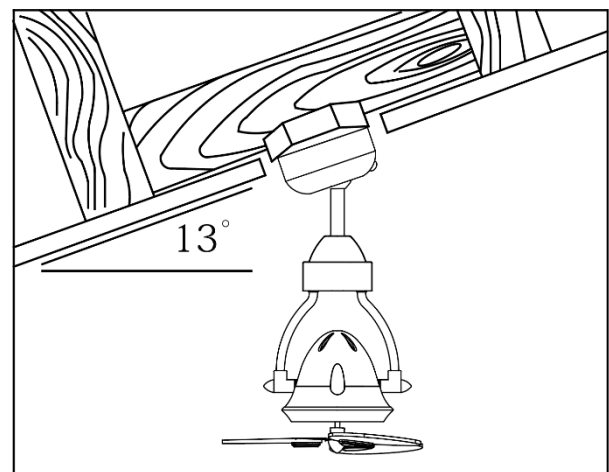


Fig. 4



INSTALLATION DES PALES DU VENTILATEUR

- Alignez les 3 trous de montage de la pale (3) sur les 3 trous de montage du support des pales (2) ;
- Insérez le capuchon de fixation (4) dans les trous de montage depuis la partie inférieure de la pale (3) et fixez en serrant les 3 vis (1) depuis la partie supérieure du support des pales (2) ;
- Une fois ces étapes terminées, répétez le même processus sur les pales restantes.

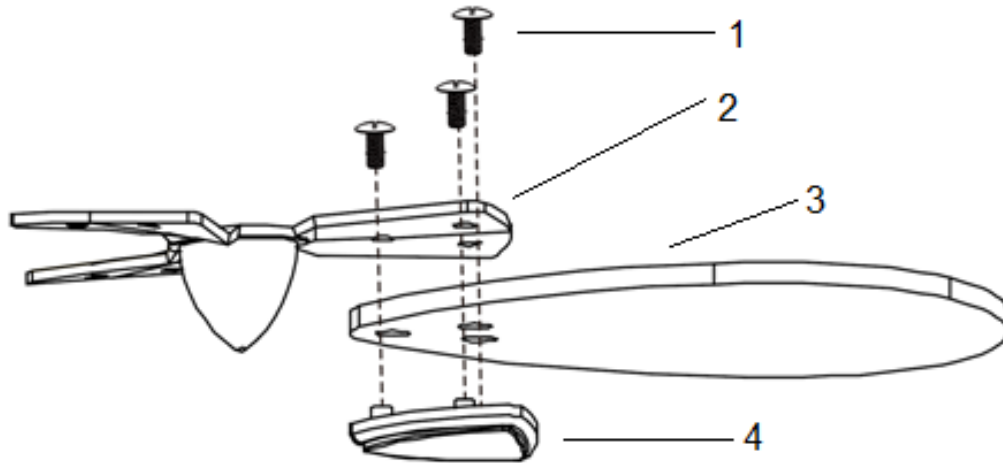


Fig. 5

- Installez les pales de ventilateur assemblées (7) sur l'élément moteur (5) ;
- Serrez les 2 vis de fixation (6) sur le côté de l'arbre moteur ;

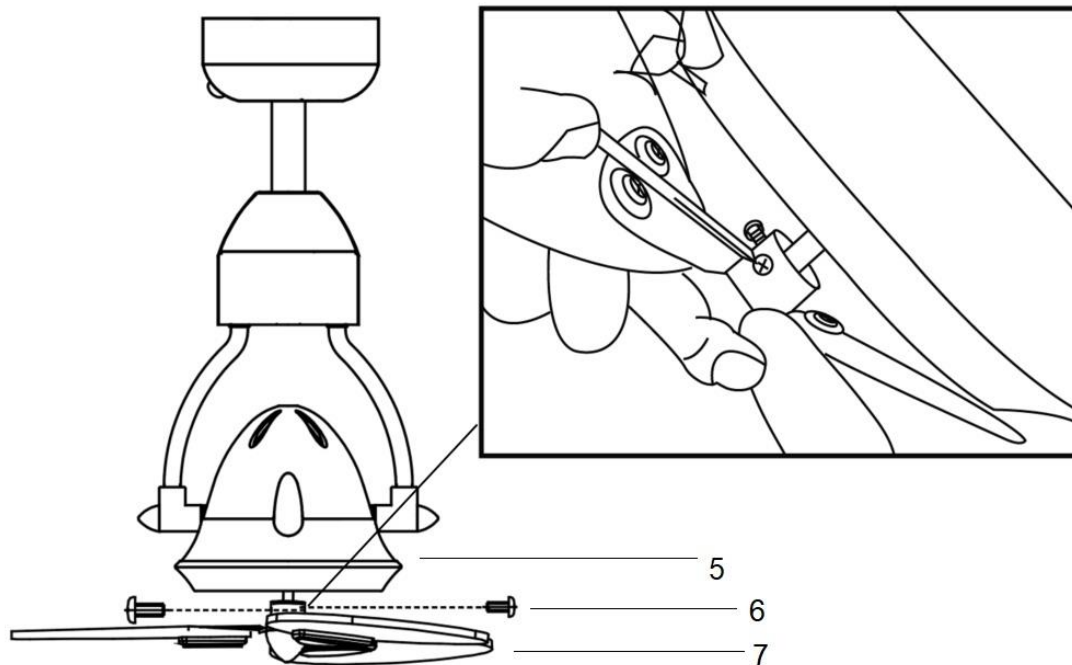


Fig. 6



SUSPENSION DU VENTILATEUR

Soulevez le ventilateur pour le placer sur le support de montage. Assurez-vous que l'encoche (A) de la rotule de la suspension est positionnée sur la goupille (B) du support de montage (C) pour empêcher le ventilateur de tourner lorsqu'il fonctionne. (Fig. 7A)

REMARQUE : Veuillez noter que la tête du ventilateur peut osciller à 60°. Des encoches (Fig. 7B) sont présentes sur la rotule de suspension pour vous permettre de régler la direction du ventilateur en fonction de vos besoins.

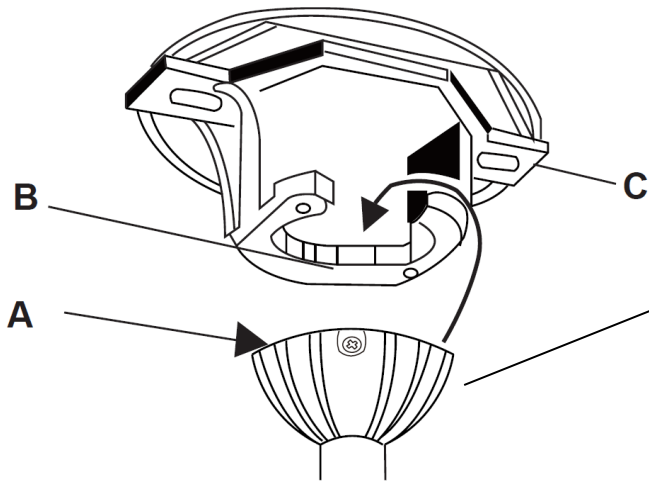


Fig. 7A



Fig. 7B



RÉGLAGE DE LA TÊTE DU VENTILATEUR

- Desserrez les deux vis de fixation des deux côtés du moteur ; (Fig. 8)
- Tournez la tête du ventilateur et orientez la vis du bras à l'angle souhaité (Seulement trois angles sont disponibles : 0°, 45°, 90°. Ils sont marqués sur l'élément moteur) (Fig. 9)
- Resserrez les vis de fixation après avoir effectué le réglage à l'angle souhaité. **Assurez-vous que les vis de fixation sont bien serrées et positionnées dans l'encoche de l'angle souhaité.** (Fig. 10)

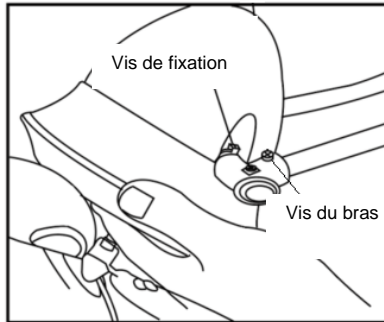


Fig. 8

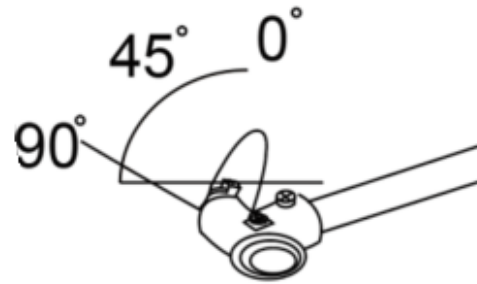


Fig. 9



Fig. 10

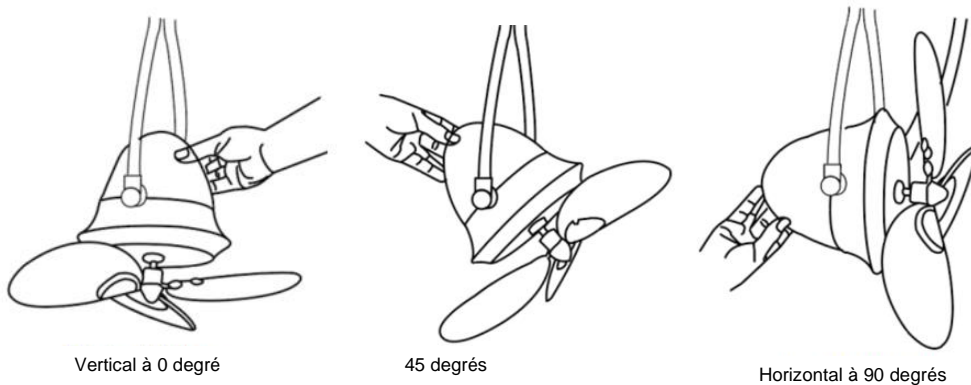


FIG. DE CÂBLAGE ÉLECTRIQUE

AVERTISSEMENT : POUR VOTRE SÉCURITÉ, TOUS LES RACCORDEMENTS ÉLECTRIQUES DOIVENT ÊTRE EFFECTUÉS PAR UN ÉLECTRICIEN AGRÉÉ.

REMARQUE : UN COMMUTATEUR DE DÉCONNEXION MULTIPOLAIRE SUPPLÉMENTAIRE DOIT ÊTRE INCLUS DANS LE CÂBLAGE FIXE.

ATTENTION : ASSUREZ-VOUS DE LA CONTINUITÉ DE LA MISE À LA TERRE SUR LE BOÎTIER EN MÉTAL DU VENTILATEUR VERS LA BORNE DE TERRE APRÈS AVOIR RACCORDÉ LES CONNECTEURS DE CÂBLAGE DU SUPPORT DE MONTAGE, DU RÉCEPTEUR DE LA TÉLÉCOMMANDE ET DU MOTEUR DU VENTILATEUR ENSEMBLE AVANT LA MISE SOUS TENSION.

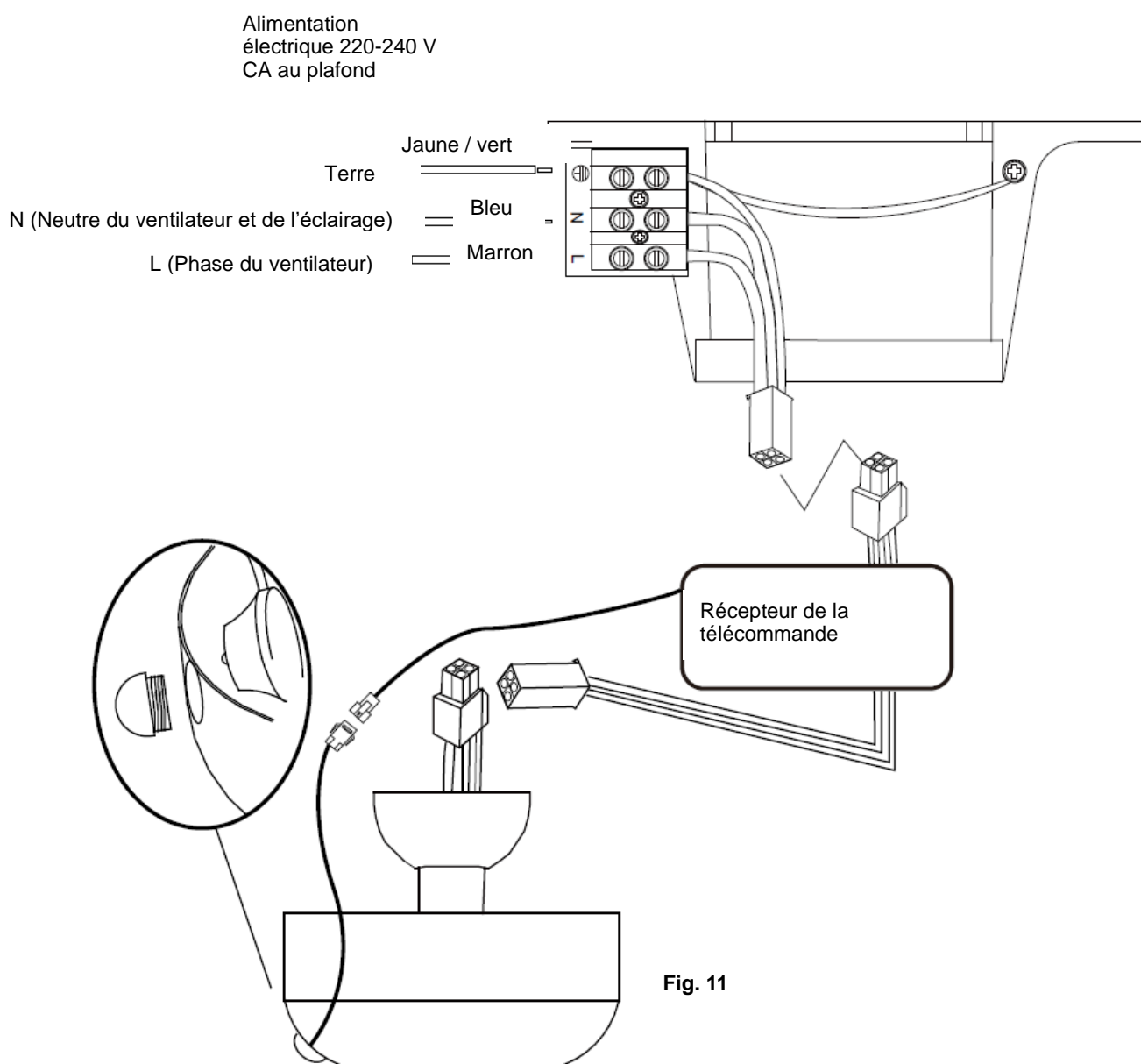


Fig. 11



FINALISATION DE L'INSTALLATION

- Après avoir effectué les branchements électriques au niveau du bornier du support de montage, reliez le câblage du ventilateur de plafond au connecteur rapide.
- Assurez-vous que le câblage à la terre est sécurisé et bien réalisé, en effectuant un test de continuité de mise à la terre du boîtier en métal accessible du ventilateur à la borne de la terre du bornier sur le support de montage.
- Couvrez le support de montage avec le cache. Veillez à placer tous les câblages électriques dans le capot et à ne pas les endommager durant cette étape. Fixez le cache sur le support de suspension avec les vis fournies. (Fig. 12)
- Mettez le ventilateur sous tension. Testez le bon fonctionnement de votre ventilateur ou utilisez-le directement, en suivant les instructions de la section « UTILISATION DE VOTRE VENTILATEUR DE PLAFOND » du présent mode d'emploi.

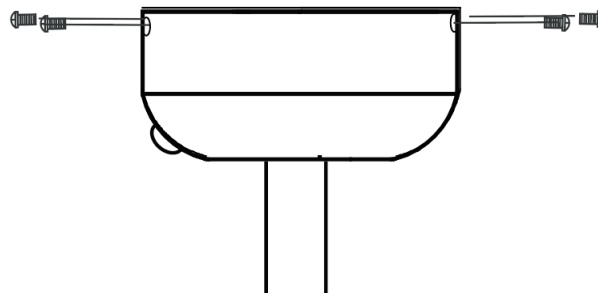


Fig. 12



UTILISATION DE VOTRE VENTILATEUR DE PLAFOND

INSTALLATION DE LA PILE DANS LA TÉLÉCOMMANDE (Fig. 13)

Votre ventilateur de plafond est contrôlé par la télécommande. Les points suivants doivent être pris en compte avant d'utiliser la télécommande :

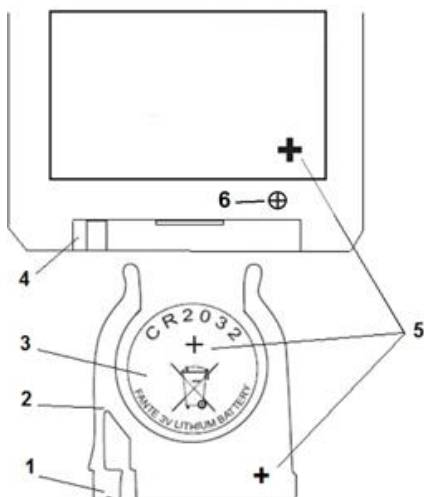


Fig. 13

1 pile 3 V CR2032 est nécessaire pour la télécommande.

- Retirez la vis (6) et sortez le plateau de la pile (2) en appuyant sur le clip (1) et en tirant le plateau simultanément.
- Placez la pile (3) sur le plateau et réinsérez le plateau dans la télécommande (4) indiquée par le symbole de polarité « + » (5).
- Assurez-vous que la polarité est correcte comme indiqué dans le compartiment de la pile.
- Réinstallez la vis (6) pour fixer le plateau de la pile (2).

FONCTIONNEMENT DE LA TÉLÉCOMMANDE (Fig. 14)

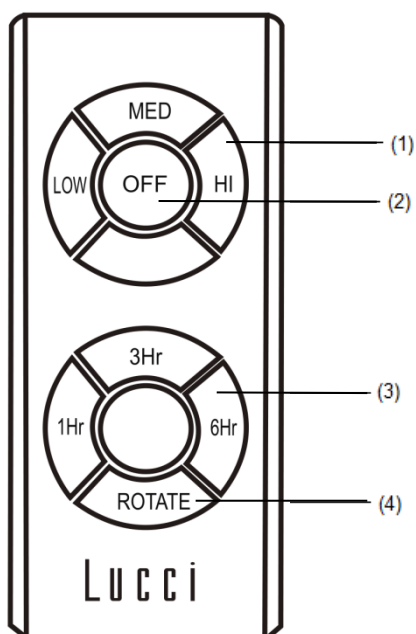


Fig. 14

- (1) Commande de la vitesse (ÉLEVÉE, MOYENNE, BASSE) ;
- (2) Marche/arrêt du ventilateur ;
- (3) Commande de la temporisation du ventilateur (1 h, 3 h, 6 h). Le ventilateur s'arrête automatiquement après la durée que vous avez sélectionnée.
- (4) Oscillation à 60° activée/désactivée

REMARQUE :

La télécommande dispose d'une fonction de mémoire si l'alimentation secteur est coupée. Elle se rétablit au dernier statut lors de la remise sous tension.



EMPLACEMENT EFFICACE POUR LA COMMANDE INFRAROUGE (Fig. 15)

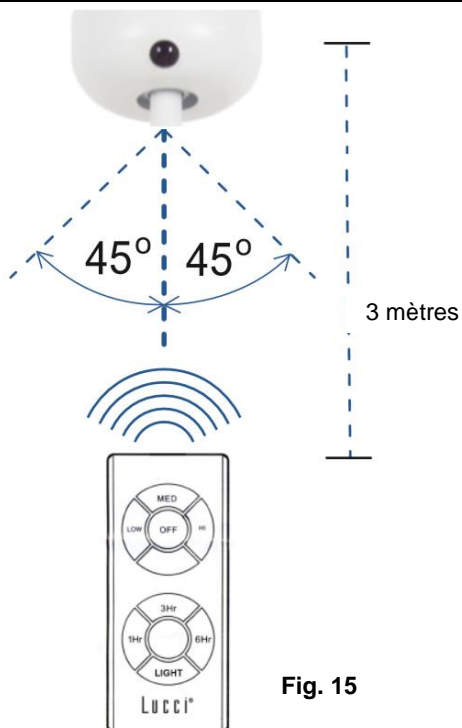


Fig. 15

L'émetteur et le récepteur communiquent par signal infrarouge. La télécommande doit être utilisée dans les limites de distances suivantes :

- Environ 45° du capteur infrarouge à gauche et à droite.
- Distance de l'émetteur au capteur infrarouge : 3 mètres maximum.

INSTALLATION DU SUPPORT DE LA TÉLÉCOMMANDE (Fig. 16)

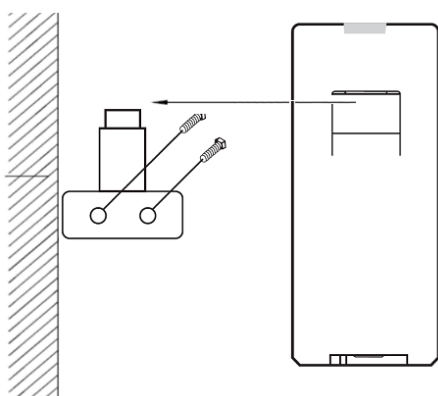


Fig. 16

Installez le support de la télécommande sur le mur avec les deux vis fournies, puis placez la télécommande sur le support.



APRÈS L'INSTALLATION**TREMBLEMENTS :**

REMARQUE : Les ventilateurs de plafond ont tendance à bouger quand ils fonctionnent du fait qu'ils sont montés sur un œillet en caoutchouc. Si le ventilateur était monté de façon rigide au plafond, cela causerait des vibrations excessives. Un mouvement de quelques centimètres est acceptable et N'INDIQUE PAS UN PROBLÈME.

POUR RÉDUIRE LES TREMBLEMENTS DU VENTILATEUR : Veuillez vérifier que toutes les vis qui fixent le support de fixation et la tige descendante sont bien serrées.

BRUIT :

Lorsque l'ambiance est calme (en particulier la nuit), il se peut que vous entendiez de faibles bruits occasionnels. De légères fluctuations de l'alimentation électrique et des signaux de fréquence superposés dans l'électricité pour le contrôle de la production d'eau chaude en période creuse peuvent entraîner un changement du bruit du moteur du ventilateur. Ce phénomène est normal. Veuillez prévoir une période de « rodage » de 24 heures : la plupart des bruits associés à un ventilateur neuf disparaissent pendant cette période.

La garantie du fabricant couvre les défauts réels susceptibles d'apparaître et NON les réclamations mineures telles que le bruit de fonctionnement du moteur : tous les moteurs électriques sont audibles dans une certaine mesure.

ENTRETIEN ET NETTOYAGE

REMARQUE : Coupez toujours l'alimentation au niveau de l'interrupteur secteur avant tout entretien ou toute tentative de nettoyage du ventilateur.

- Le seul entretien requis est un nettoyage périodique de votre ventilateur tous les 6 mois. Utilisez une brosse douce ou un chiffon non pelucheux pour éviter de rayer la peinture. Veuillez couper l'alimentation secteur lors de cette opération.
- Ne trempez pas et ne plongez pas votre ventilateur dans l'eau ou d'autres liquides. Cela pourrait endommager le moteur ou les pales et créer un risque de choc électrique.
- Veillez à ce que le ventilateur n'entre pas en contact avec des solvants organiques ou des détergents.
- Pour nettoyer les pales du ventilateur, essuyez-les avec un chiffon propre et humide seulement, sans solvant organique ni détergent.
- Le moteur dispose d'un roulement à billes lubrifié en permanence, il n'y a donc pas besoin de l'huiler.



SÉCURITÉ ET PRÉCAUTIONS CONCERNANT LA PILE BOUTON

Afin d'éviter une mise en marche inattendue pendant l'insertion ou le remplacement des piles, ce ventilateur de plafond doit être débranché de l'alimentation secteur.

- **AVERTISSEMENT** – Maintenez les piles neuves et usées hors de portée des enfants.
- **ATTENTION** – N'ingérez pas les piles, risque de brûlure chimique.
- La pile doit être retirée de la télécommande avant d'être jetée.
- Utilisez toujours des piles de type CR2032 pour la télécommande de ce ventilateur de plafond.
- Jetez les piles épuisées immédiatement et de manière sécurisée (afin qu'elles ne puissent pas être récupérées par des enfants). Même les piles usées peuvent être dangereuses. Contactez les autorités locales pour éliminer les piles en toute sécurité.
- Les piles doivent être insérées dans le sens de polarité indiqué.
- N'utilisez pas de pile rechargeable dans ce produit.
- Vérifiez régulièrement le produit et assurez-vous que le couvercle du compartiment des piles est bien fermé. Si le compartiment des piles ne peut pas être fermé solidement, cessez d'utiliser le produit et maintenez-le hors de portée des enfants.
- Retirez les piles du produit lorsqu'il n'est pas utilisé pendant longtemps.
- Si vous pensez que des piles ont peut-être été avalées ou mises dans une partie du corps, consultez immédiatement un médecin.

INFORMATIONS TECHNIQUES

Type de ventilateur	Ventilateur oscillant à 60°, monté au plafond		
Numéro de modèle/N° UGS	LD-15" HAVA-ORB/ N° UGS 213160	LD-15" HAVA-BLK/ N° UGS 213161	LD-15" HAVA-CHW/ N° UGS 213162
Couleur	Orb	Noir	Blanc
Tension nominale	220-240 V~ 50Hz		
Puissance nominale	55 W (moteur du ventilateur 51 W + moteur d'oscillation 4 W)		
Piles pour télécommande	3 V CR2032		
Poids	3,8 kg		
Dimensions	Diam : 380 mm H : 550 mm max.		
Dimensions du cache	H : 60 mm Diam : 130 mm		

INFORMATIONS SUR LA GARANTIE

EN EUROPE – Si vous êtes un client européen, veuillez contacter le magasin d'achat du ventilateur afin de faire valoir la garantie.




This fan is suitable for indoor and alfresco areas where the fan is fully undercover with a minimum of 2 walls. This fan is not waterproof. When installed in an alfresco area, the ceiling fan must be positioned in a location protected from water, wind, dust and salt. Exposure to these elements will void the warranty. Mounting the fan in a situation where it is subject to water or moisture is dangerous.



GRACIAS POR SU COMPRA

Gracias por adquirir este producto Lucci de alta calidad. Antes de montar, instalar y usar este ventilador de techo y para garantizar un funcionamiento correcto y seguro, lea y siga atentamente todas las instrucciones. Conserve estas instrucciones para consultas posteriores.

MEDIDAS DE SEGURIDAD

1. Este aparato puede ser utilizado por niños mayores de 8 años y por personas con minusvalías físicas, sensoriales o mentales, o que no cuenten con la experiencia y los conocimientos necesarios, siempre que estén supervisados o hayan sido instruidos sobre el uso seguro del aparato y entiendan los peligros que conlleva. Las tareas de limpieza y mantenimiento no podrán ser realizadas por niños sin la debida supervisión.
2. Se deberá vigilar a los niños para asegurarse de que no juegan con el aparato.
3. De conformidad con el reglamento local sobre cableados, se deberá incorporar un interruptor de desconexión omnipolar en el cableado fijo.
4.  No deseche los aparatos eléctricos en la basura general sin clasificar; utilice los puntos de recogida selectiva. Póngase en contacto con las autoridades locales para que le informen sobre los sistemas de recogida disponibles.
5. De acabar en los vertederos o basureros, los aparatos eléctricos pueden desprender sustancias nocivas que podrían contaminar las capas freáticas y entrar en la cadena alimenticia, con el consecuente peligro para la salud y el bienestar.
6. La estructura a la que el ventilador debe montarse debe ser capaz de soportar 16 kg de peso.
7. El ventilador deberá montarse de tal manera que las aspas estén, como mínimo, a una altura de 2,3 m del suelo en Europa. (Consulte el apartado 'Distancia de seguridad' donde se incluye más información.)
8. Este ventilador es apropiado para áreas de interior y en lugares al aire libre donde esté totalmente cubierto por 2 paredes como mínimo. Este ventilador no es resistente al agua. Cuando se instale en un lugar al aire libre, el ventilador de techo debe ubicarse en un lugar protegido del agua, el viento, el polvo y la sal. La exposición a estos elementos anulará la garantía. Montar el ventilador en un lugar donde esté expuesto al agua o la humedad es peligroso y puede aumentar el riesgo de daños, lesiones o choques eléctricos, invalidando así la garantía.
9. Debe ser montado e instalado por un electricista acreditado.
10. ADVERTENCIA: Si se observara un movimiento inusual de oscilación o bamboleo, deje de usar el ventilador de techo inmediatamente y póngase en contacto con el fabricante, su servicio técnico o personas debidamente calificadas.



11. La sustitución de las piezas del sistema de suspensión de seguridad deberá llevarla a cabo el fabricante, su servicio técnico o personas debidamente cualificadas.
12. Los elementos para sujetarlo al techo, como ganchos u otros elementos, deberán fijarse con suficiente firmeza para soportar 4 veces el peso del ventilador de techo. El montaje del sistema de suspensión deberá efectuarlo el fabricante, su servicio técnico o personas debidamente cualificadas.



This fan is suitable for indoor and alfresco areas where the fan is fully undercover with a minimum of 2 walls. This fan is not waterproof. When installed in an alfresco area, the ceiling fan must be positioned in a location protected from water, wind, dust and salt. Exposure to these elements will void the warranty. Mounting the fan in a situation where it is subject to water or moisture is dangerous.

LISTA DE COMPONENTES

- Desembale el ventilador de techo con cuidado. Saque todas las piezas y la tornillería.
- Deposite todos los componentes sobre una superficie lisa y asegúrese de que no falte ninguno antes de comenzar el montaje. Si falta alguna pieza, devuelva el producto completo al lugar donde realizó la compra para que lo examinen o reemplacen.
- Compruebe que el ventilador de techo no haya sufrido algún daño durante el transporte. Nunca utilice o instale un producto que parezca sufrir algún daño. Devuelva el producto completo al lugar donde realizó la compra para que lo examinen, reparen o reemplacen.
- Asegúrese de que se incluyan las siguientes piezas:

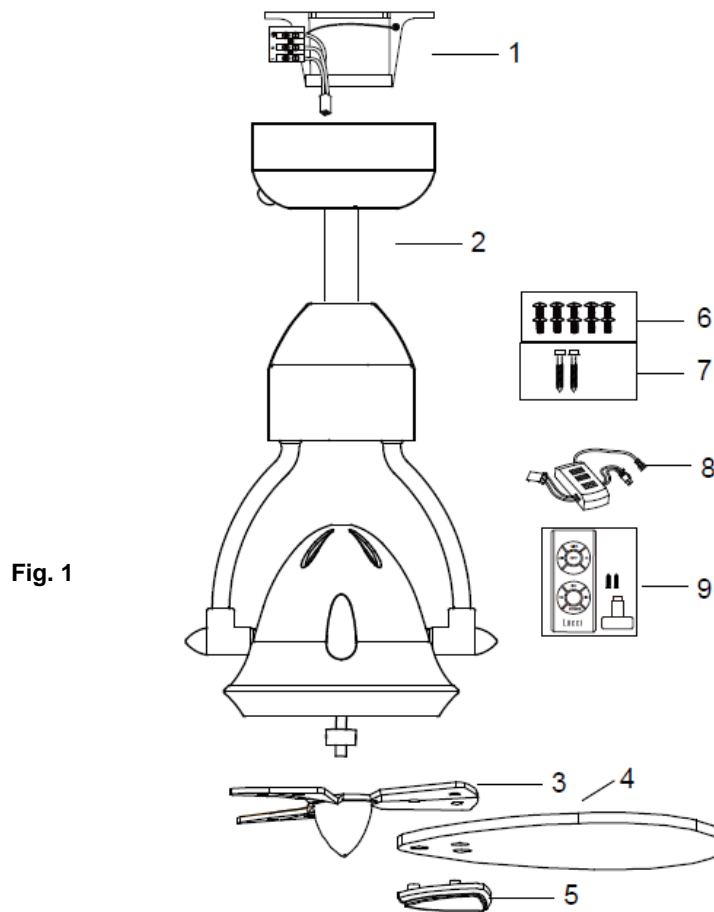


Fig. 1

- 1 1 Soporte de techo
- 2 1 Conjunto del motor
- 3 1 Soporte para las aspas
- 4 3 Aspas
- 5 3 Tapas de fijación de las aspas
- 6 9 Tornillos para las aspas (y 1 de repuesto)
- 7 Tornillos para el soporte de techo x 2
- 8 1 Receptor de la señal remota
- 9 1 set de transmisor de mando a distancia



This fan is suitable for indoor and alfresco areas where the fan is fully undercover with a minimum of 2 walls. This fan is not waterproof. When installed in an alfresco area, the ceiling fan must be positioned in a location protected from water, wind, dust and salt. Exposure to these elements will void the warranty. Mounting the fan in a situation where it is subject to water or moisture is dangerous.

DISTANCIA DE SEGURIDAD

- El ventilador debe instalarse de modo que el punto más bajo de las aspas debe estar a 2.3 m del suelo (en Europa).

NOTA: El punto más bajo de las aspas es cuando el cabezal del ventilador está ajustado a 45°.

- El ventilador de techo debe instalarse en un lugar donde las puntas de las aspas queden como mínimo a 1 m de distancia respecto a las paredes y otros objetos cercanos.

NOTA: Recuerde que el cabezal del ventilador puede oscilar 60°. Debe tenerlo en cuenta a la hora de seleccionar el lugar de instalación.

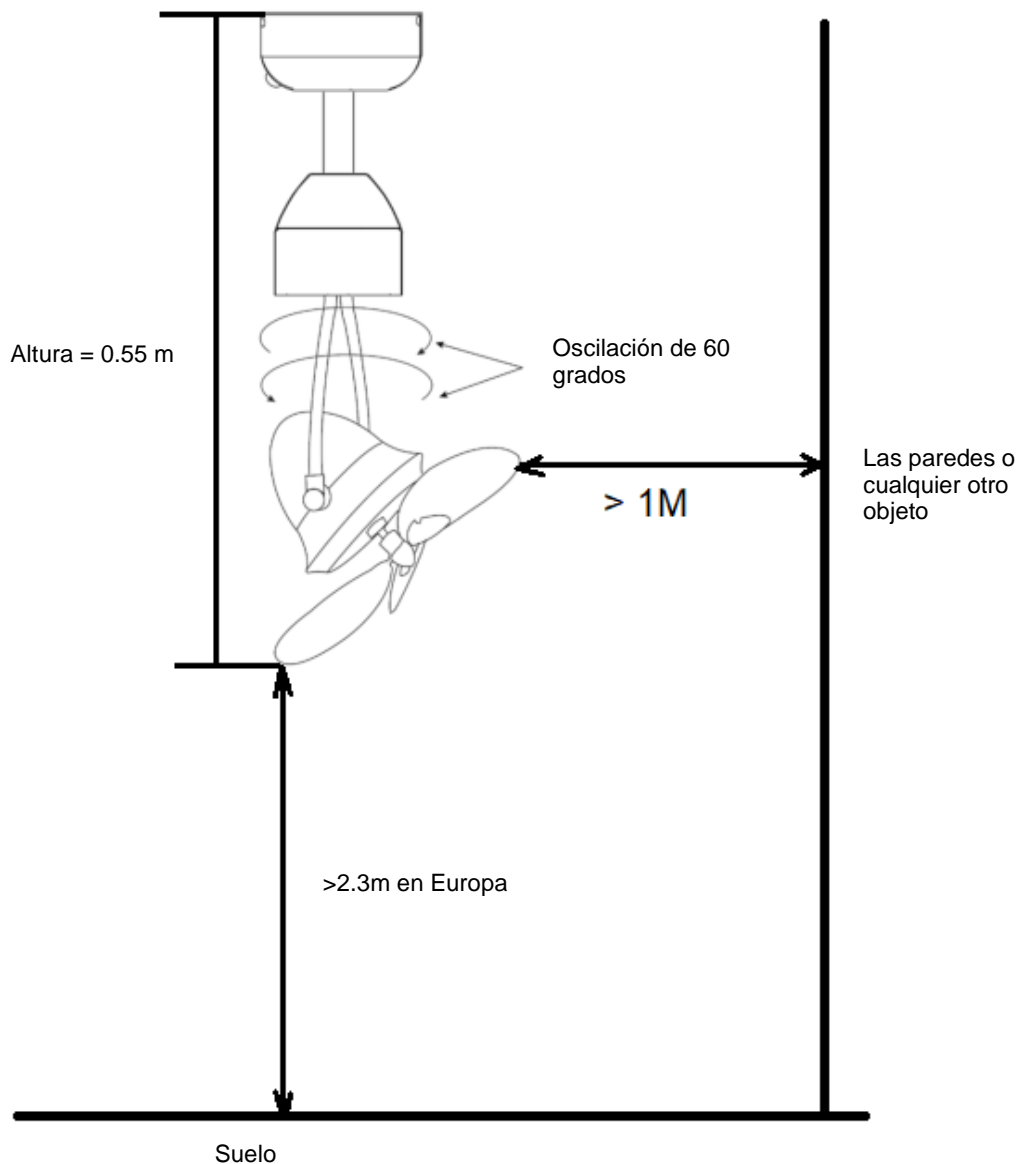
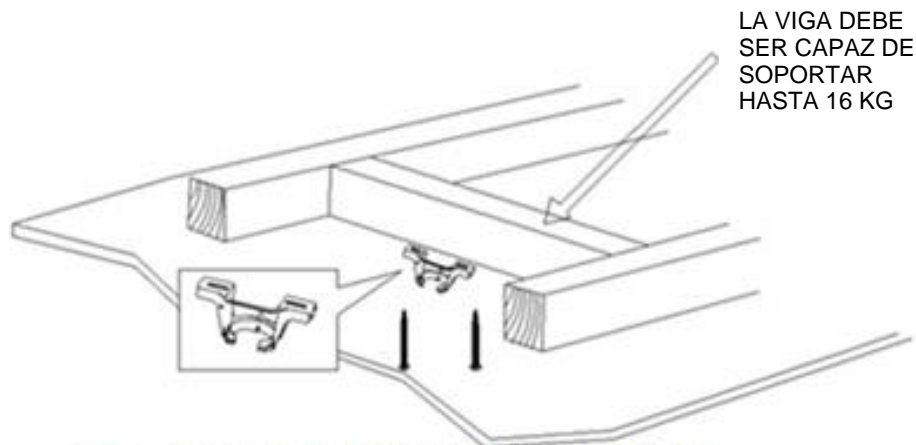


Fig. 2



INSTALACIÓN DEL SOPORTE DE TECHO

- Con los dos tornillos largos suministrados, instale el soporte a una viga o una estructura del techo capaz de soportar, al menos, 16 kg de peso. Asegúrese de enroscar los tornillos 30 mm como mínimo en el punto de instalación. (Fig. 3)



NOTA: ESTA IMAGEN SOLO SE MUESTRA A MODO DE REFERENCIA Y NO ES UNA REPRESENTACIÓN DEL SOPORTE REAL

Fig. 3

NOTA: Los tornillos del soporte solo deben usarse con estructuras de madera. Para estructuras diferentes a la madera, DEBERÁ utilizarse el tipo de tornillo adecuado. Asegúrese de que los tornillos sean los apropiados para la superficie de montaje y su alrededor.

INSTALACIÓN EN UN TECHO INCLINADO

Este ventilador con sistema colgante puede ser instalado en un techo con una inclinación máxima de 13 grados. (Fig. 4)

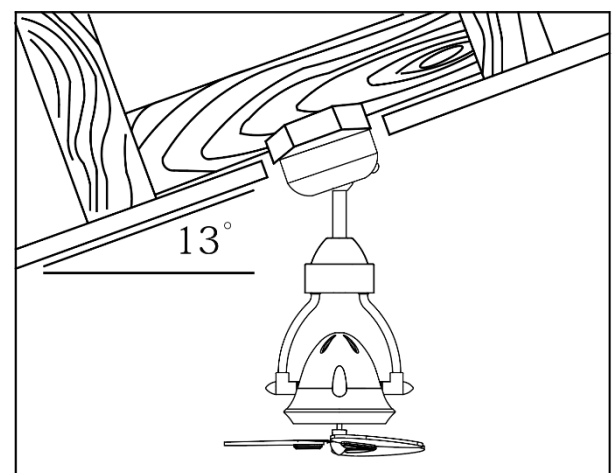


Fig. 4



INSTALACIÓN DE LAS ASPAS DEL VENTILADOR

- Haga coincidir los 3 orificios de instalación del aspa (3) con los 3 orificios de instalación del soporte de las aspas (2);
- Introduzca las tapas de fijación (4) en los orificios de instalación desde la parte inferior del aspa (3) y fíjelas con los 3 tornillos (1) desde la parte superior del soporte (2);
- Una vez hecho esto, repita el proceso con el resto de las aspas.

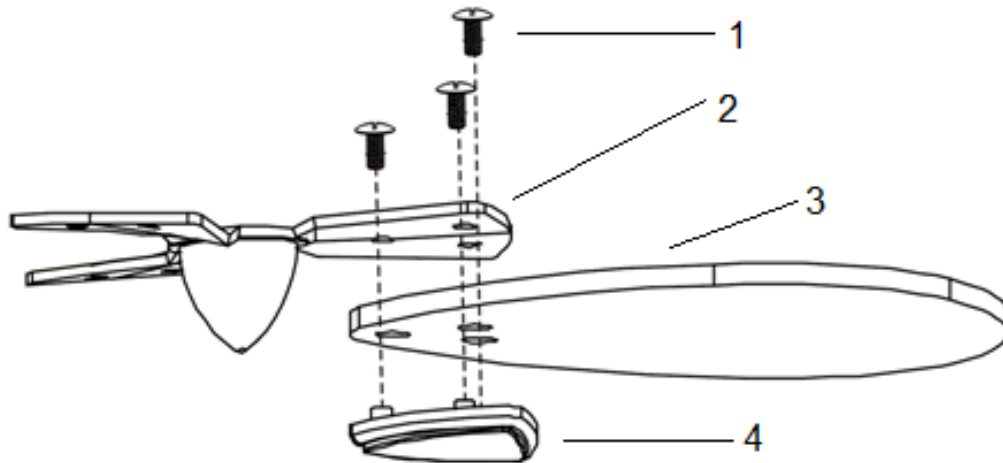


Fig. 5

- Instale las aspas montadas (7) en el motor (5);
- Apriete los 2 tornillos de ajuste (6) en el lateral del eje del motor;

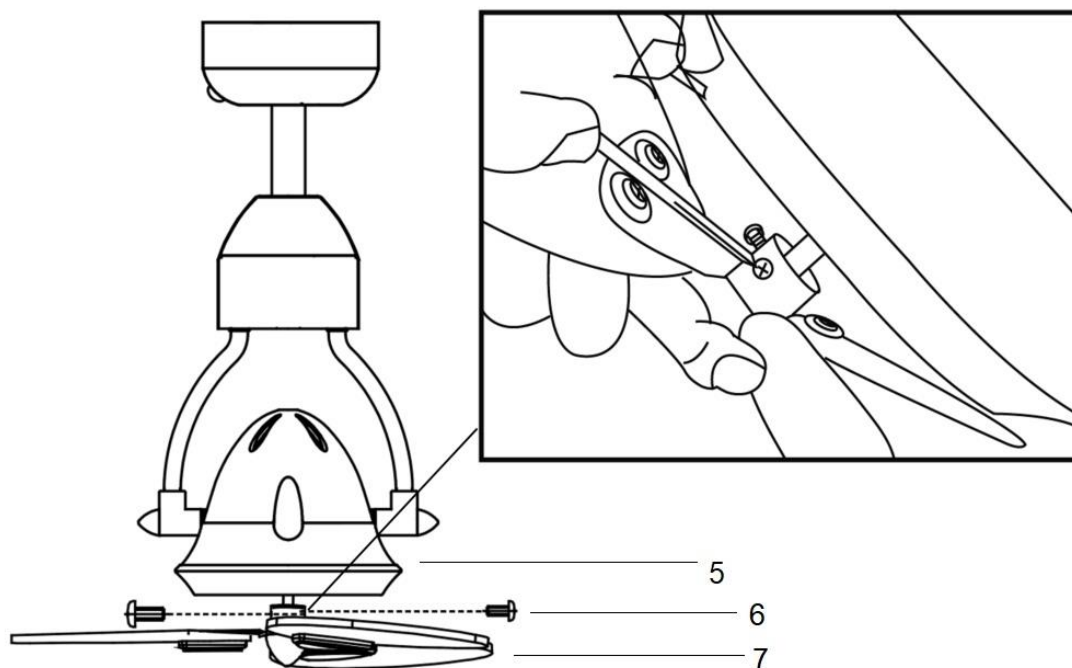


Fig. 6



CÓMO COLGAR EL VENTILADOR

Alce el conjunto del ventilador para colgarlo en el soporte de techo. Asegúrese de que la ranura de llave (A) de la bola de suspensión esté posicionada sobre la clavija de llave (B) del soporte de techo (C) para evitar la rotación del ventilador cuando esté funcionando. (Fig.7A)

NOTA: Recuerde que el cabezal del ventilador puede oscilar 60°. Hay ranuras de llave (Fig.7B) en la bola de suspensión que le permiten ajustar la dirección del ventilador según sus necesidades.

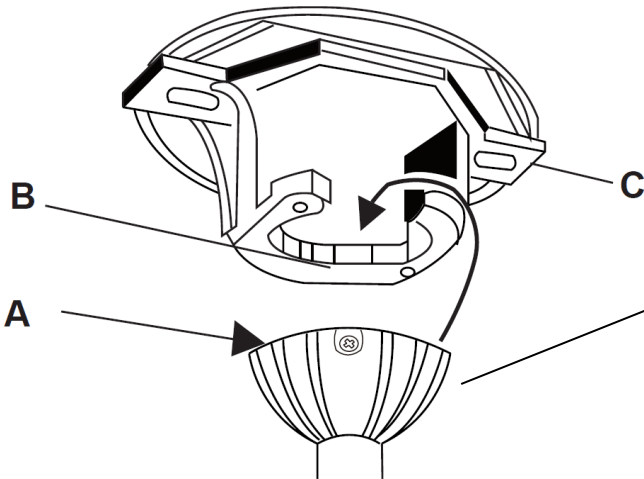


Fig. 7A

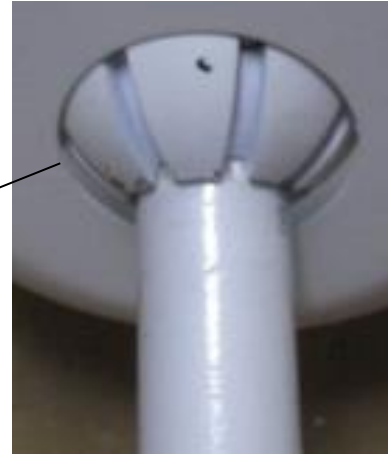


Fig. 7B



AJUSTE DEL CABEZAL DEL VENTILADOR

- Afloje los dos tornillos de ajuste en ambos lados del motor; (Fig.8)
- Gire el cabezal del ventilador y dirija el tornillo de brazo para ajustarlo al ángulo deseado (Hay solo tres ángulos disponibles: 0°, 45°, 90°. Están indicados en el motor) (Fig.9)
- Vuelva a apretar los tornillos de ajuste después de ajustar al ángulo deseado. **Compruebe que los tornillos de ajuste están apretados y bien posicionados en la ranura del ángulo deseado. (Fig. 10)**

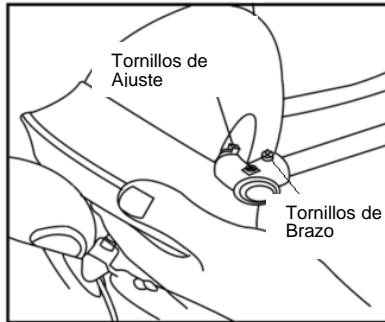


Fig. 8

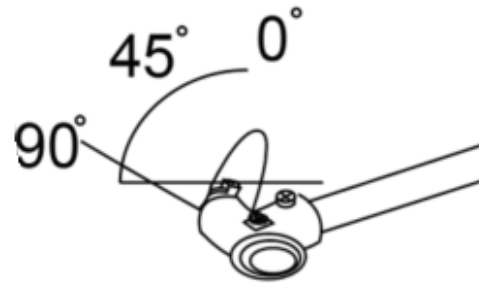
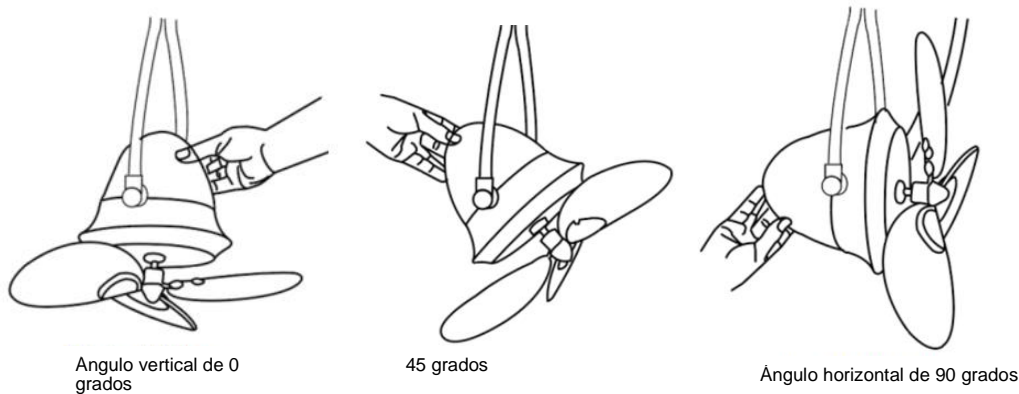


Fig. 9



Fig. 10



This fan is suitable for indoor and alfresco areas where the fan is fully undercover with a minimum of 2 walls. This fan is not waterproof. When installed in an alfresco area, the ceiling fan must be positioned in a location protected from water, wind, dust and salt. Exposure to these elements will void the warranty. Mounting the fan in a situation where it is subject to water or moisture is dangerous.

DIAGRAMA DEL CABLEADO ELÉCTRICO

ADVERTENCIA: POR SU SEGURIDAD, TODAS LAS CONEXIONES ELÉCTRICAS DEBERÁ REALIZARLAS UN ELECTRICISTA ACREDITADO.

NOTA: EL CABLEADO FIJO DEBERÁ INCORPORAR UN INTERRUPTOR DE DESCONEXIÓN OMNIPOLAR ADICIONAL.

PRECAUCIÓN: DESPUÉS DE CONECTAR EL SOPORTE, EL RECEPTOR DEL MANDO A DISTANCIA, Y LOS CONECTORES DEL MOTOR Y ANTES DE ENCENDERLO, COMPRUEBE LA CONEXIÓN A TIERRA DE LA ESTRUCTURA DE METAL DEL VENTILADOR A CADA TERMINAL

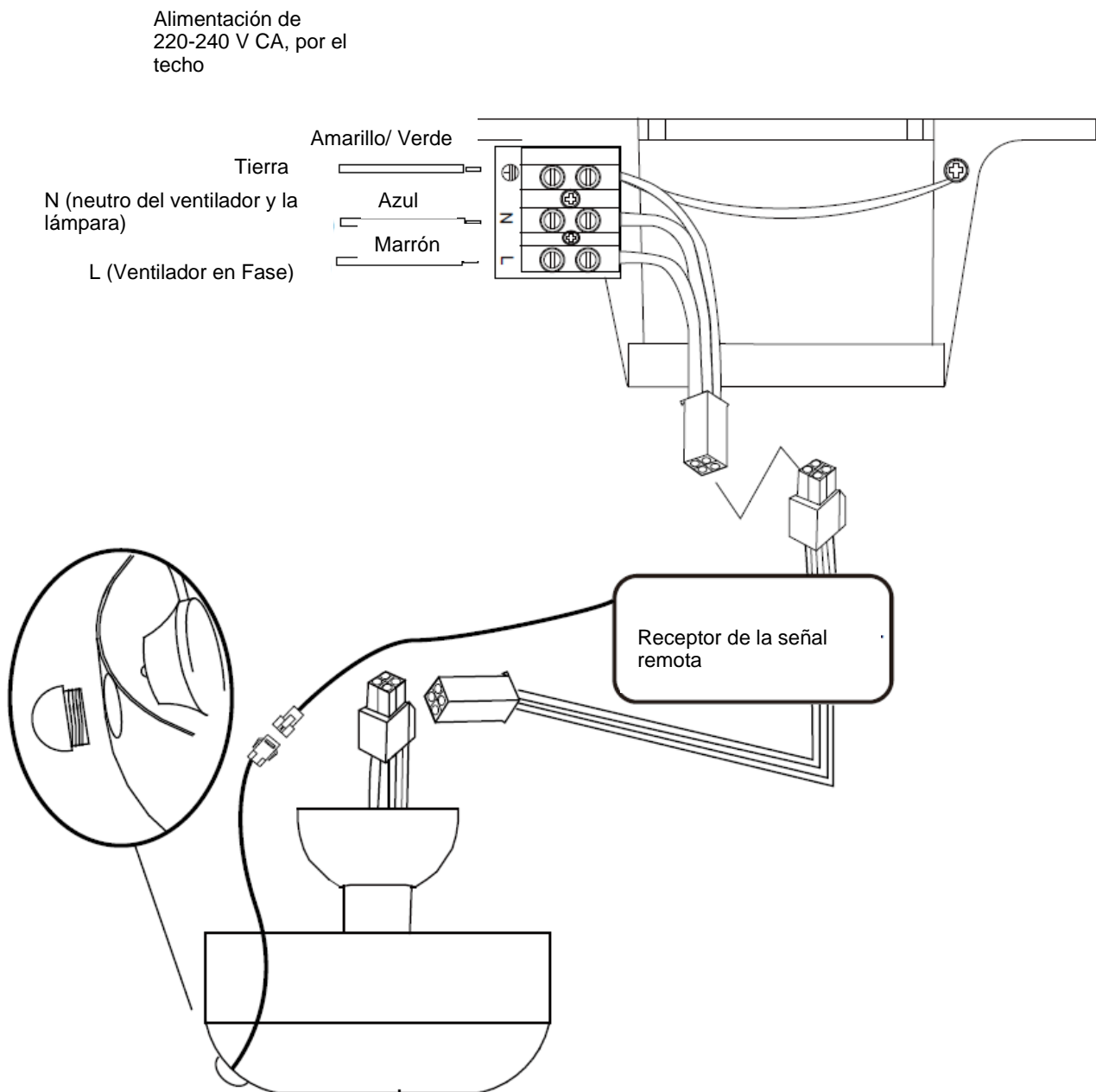


Fig. 11



This fan is suitable for indoor and alfresco areas where the fan is fully undercover with a minimum of 2 walls. This fan is not waterproof. When installed in an alfresco area, the ceiling fan must be positioned in a location protected from water, wind, dust and salt. Exposure to these elements will void the warranty. Mounting the fan in a situation where it is subject to water or moisture is dangerous.

CÓMO FINALIZAR LA INSTALACIÓN

- Una vez completadas las conexiones eléctricas de la regleta del soporte de techo, conecte el cableado del ventilador de techo mediante el conector rápido.
- Asegúrese de que los conductores de tierra estén asegurados y conectados correctamente llevando a cabo una prueba de continuidad de tierra desde la pieza trasera de metal accesible del ventilador hasta el terminal de tierra del soporte.
- Cubra el soporte de montaje con el florón. Asegúrese de que todo el cableado eléctrico quede insertado dentro del florón y de que los cables no se dañen durante este paso. Fije el florón al soporte de techo utilizando los tornillos suministrados. (Fig. 12)
- Active el paso de la corriente eléctrica al ventilador. Pruebe las funciones o disfrute del ventilador siguiendo las instrucciones del apartado “CÓMO USAR SU VENTILADOR DE TECHO” de este manual.

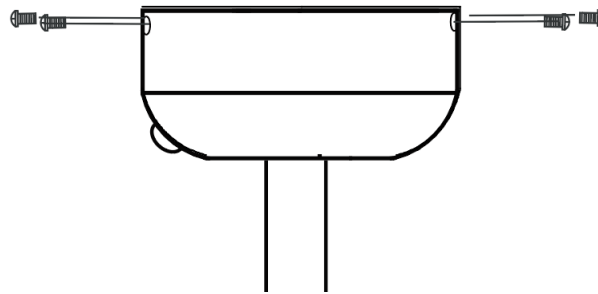


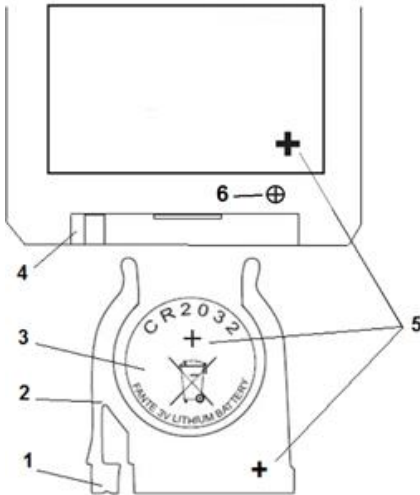
Fig. 12



CÓMO USAR SU VENTILADOR DE TECHO

INSTALACIÓN DE LAS PILAS EN EL MANDO A DISTANCIA (Fig. 13)

Su ventilador de techo está controlado por un mando a distancia. Antes de usar el mando a distancia, debe tener en cuenta lo siguiente.

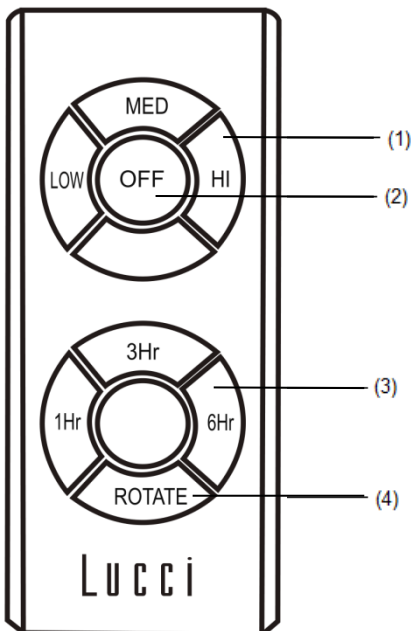


El mando a distancia funciona con una pila CR2032 3V.

- Retire el tornillo (6) y saque la bandeja de la pila (2) presionando el clip (1) y tirando de ambos para sacarlos juntos.
- Coloque la pila (3) en la bandeja e inserte la bandeja de nuevo en el mando a distancia (4) siguiendo la indicación del símbolo de polaridad “+” (5).
- Asegúrese de que la polaridad es la correcta, tal y como se indica en el compartimento de la pila.
- Vuelva a colocar el tornillo (6) para fijar la bandeja de la pila (2).

Fig. 13

FUNCIONAMIENTO DEL MANDO A DISTANCIA (Fig. 14)



- (1) Control de la velocidad (ALTA, MEDIA, BAJA);
- (2) Encender/apagar el ventilador;
- (3) Control del tiempo del ventilador (1h, 3h, 6h) El ventilador se detendrá automáticamente después de transcurrido el tiempo seleccionado.
- (4) Encender/Apagar la Oscilación de 60°

NOTA:

El mando tiene una función de memoria cuando se interrumpe el suministro eléctrico. Al volver restablecerse el suministro eléctrico, se pondrá en marcha desde el último estado.

Fig. 14



This fan is suitable for indoor and alfresco areas where the fan is fully undercover with a minimum of 2 walls. This fan is not waterproof. When installed in an alfresco area, the ceiling fan must be positioned in a location protected from water, wind, dust and salt. Exposure to these elements will void the warranty. Mounting the fan in a situation where it is subject to water or moisture is dangerous.

UBICACIÓN EFECTIVA DEL MANDO POR INFRARROJOS (Fig.15)

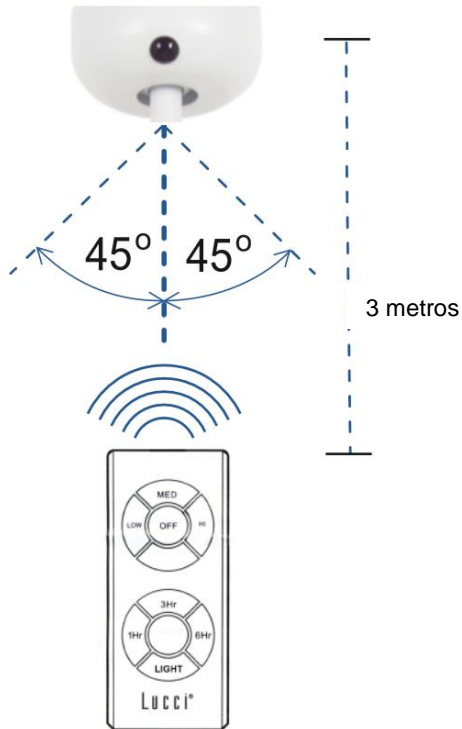


Fig. 15

El transmisor y el receptor se comunican por señal de infrarrojos. El mando a distancia debe funcionar a las siguientes distancias:

- Aproximadamente 45° del sensor de infrarrojos hacia la izquierda y la derecha.
- Distancia desde el transmisor al sensor de infrarrojos: Máx. 3 metros.

INSTALACIÓN DEL PORTAMANDOS (Fig. 16)

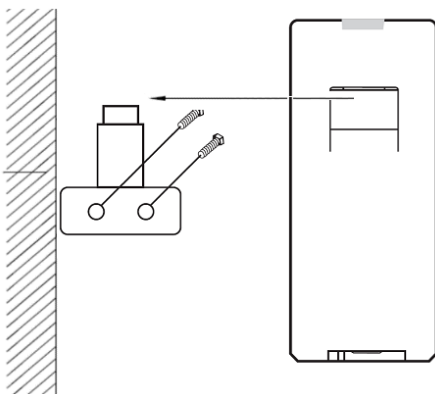


Fig. 16

Instale el portamandos en la pared con los dos tornillos suministrados, después coloque el mando a distancia en el portamandos.



DESPUÉS DE LA INSTALACIÓN**BAMBOLEO:**

NOTA: Los ventiladores de techo tienden a moverse cuando están funcionando debido a que están montados sobre una arandela de goma. Si el ventilador estuviera montado rígidamente al techo, generaría demasiadas vibraciones. Un movimiento de unos pocos centímetros es bastante aceptable y NO indica que haya un problema.

CÓMO REDUCIR EL BAMBOLEO DEL VENTILADOR: Compruebe que todos los tornillos que fijan el soporte del ventilador y la tija estén bien apretados.

RUIDO:

En los momentos silenciosos (sobre todo por la noche), puede que escuche ruidos tenues en ocasiones. Leves fluctuaciones de la corriente y frecuencias de señales superpuestas en la corriente para el control del agua caliente durante horas no puntas pueden causar cambios en el ruido del motor del ventilador. Esto es algo normal. Permita un periodo de adaptación de 24 horas. Tras este periodo, la mayoría de los ruidos asociados con su nuevo ventilador deberían haber desaparecido.

La garantía del fabricante cubre fallos reales que puedan acaecer, NO así quejas menores como escuchar el ruido del motor – Todos los motores eléctricos generan cierto ruido.

CUIDADO Y LIMPIEZA

NOTA: Apague siempre el ventilador desde el cuadro eléctrico antes de llevar a cabo cualquier tarea de mantenimiento o limpieza.

- El único mantenimiento que requiere su ventilador de techo es una limpieza periódica cada 6 meses. Utilice un cepillo suave o un paño que no deje pelusa para no rayar el acabado de pintura. Corte la corriente de la red cuando haga esto.
- No moje ni sumerja el ventilador de techo en el agua u otros líquidos. Esto podría dañar el motor o las aspas y dar pie a posibles choques eléctricos.
- Asegúrese de que el ventilador no entre en contacto con disolventes orgánicos o detergentes.
- Para limpiar las aspas del ventilador, basta con pasar un paño humedecido SIN usar disolventes orgánicos ni detergentes.
- El motor tiene un rodamiento con lubricación permanente, por lo que no es necesario engrasarlo.



MEDIDAS DE PRECAUCIÓN CON LAS PILAS DE BOTÓN

Para evitar el funcionamiento accidental del ventilador de techo al instalar o sustituir las pilas, desconéctelo de la corriente.

- **ADVERTENCIA** – Mantenga las pilas nuevas y usadas fuera del alcance de los niños.
- **PRECAUCIÓN** – No ingiera la pila: riesgo de quemadura química.
- Las pilas deben retirarse del mando a distancia antes de desecharlo.
- Utilice siempre una pila CR2032 con el mando a distancia del ventilador de techo.
- Deseche las pilas agotadas inmediatamente y de forma segura (para que no puedan ser recogidas por los niños). Las pilas agotadas pueden seguir siendo peligrosas. Póngase en contacto su ayuntamiento para deshacerse de las pilas de una manera segura.
- Asegúrese de instalar las pilas con la polaridad correcta.
- No utilice pilas recargables con este producto.
- Revise periódicamente el producto y asegúrese de que la tapa del compartimento de las pilas esté bien asegurada. Si el compartimento de las pilas no cerrara bien, deje de usar el producto y manténgalo alejado de los niños.
- Retire las pilas del producto cuando no lo vaya a utilizar durante un período de tiempo prolongado.
- Si sospecha que alguna pila ha podido ser ingerida o introducida en alguna parte del cuerpo, acuda al médico inmediatamente.

INFORMACIÓN TÉCNICA

Tipo de Ventilador	Ventilador instalado en pared, con oscilación de 60°		
Nº de Modelo/SKU	LD-15" HAVA-ORB/ SKU# 213160	LD-15" HAVA-BLK/ SKU# 213161	LD-15" HAVA-CHW/ SKU# 213162
Color	Globo	Negro	Blanco
Tensión nominal	220-240 V~ 50 Hz		
Potencia nominal	55W (motor del ventilador de 51W + motor de oscilación de 4W)		
Pilas para el mando a distancia	CR2032 3V		
Peso	3.8 kg		
Dimensiones	Diámetro: Alt 380 mm 550mm máx.		
Dimensiones del florón	Alt: Diámetro 60 mm; 130 mm		

INFORMACIÓN SOBRE LA GARANTÍA

EN EUROPA – Si es un cliente europeo, contacte con la tienda distribuidora donde adquirió el ventilador para obtener los servicios de garantía.



This fan is suitable for indoor and alfresco areas where the fan is fully undercover with a minimum of 2 walls. This fan is not waterproof. When installed in an alfresco area, the ceiling fan must be positioned in a location protected from water, wind, dust and salt. Exposure to these elements will void the warranty. Mounting the fan in a situation where it is subject to water or moisture is dangerous.




CONGRATULAZIONI PER L'ACQUISTO

Grazie per aver acquistato questo prodotto Lucci di alta qualità. Per assicurare un funzionamento corretto e sicuro, leggere attentamente tutte le istruzioni prima di assemblare, installare e usare questo ventilatore a soffitto. Conservare le istruzioni per futuro riferimento.

NORME DI SICUREZZA

1. Questo apparecchio può essere usato da bambini di età superiore a 8 anni e da persone con ridotte capacità fisiche, sensoriali o mentali o prive di esperienza o conoscenza, solo se supervisionati o istruiti sull'uso sicuro dell'apparecchio e se comprendono i rischi correlati. Le operazioni di pulizia e manutenzione ordinaria non devono essere effettuate da bambini non supervisionati.
2. Sorvegliare i bambini per accertarsi che non giochino con l'apparecchio.
3. L'impianto elettrico deve essere protetto da un interruttore differenziale, conformemente alle normative elettriche locali.



4.  Non gettare gli apparecchi elettrici insieme ai rifiuti domestici, ma smaltirli presso gli appositi punti di raccolta. Contattare le autorità locali per informazioni sui sistemi di raccolta disponibili.
5. Se gli apparecchi elettrici vengono gettati nelle discariche, le sostanze pericolose che contengono possono infiltrarsi nella falda freatica ed entrare nella catena alimentare, con effetti nocivi su salute e benessere.
6. La struttura su cui verrà installato il ventilatore deve essere in grado di sostenere un peso di 16 kg.
7. Il ventilatore deve essere installato in modo che le pale siano ad almeno 2,3 metri di altezza dal pavimento (in Europa). Per maggiori informazioni, consultare la sezione "Distanze di installazione".
8. Questo ventilatore è adatto ad aree in interni, all'aperto e costiere, purché sia completamente protetto da almeno 2 pareti. Questo ventilatore non è impermeabile. Se collocato in aree all'aperto, il ventilatore deve essere installato in una posizione protetta da acqua, vento, polvere e sale. L'esposizione a tali elementi comporta l'annullamento della garanzia. L'installazione del ventilatore in una posizione esposta ad acqua o umidità è pericolosa, può aumentare il rischio di danni, lesioni o scossa elettrica e comporta l'annullamento della garanzia.
9. Il ventilatore deve essere assemblato e installato da un elettricista professionista.
10. **AVVERTENZA!** In caso di oscillazioni anomale, interrompere immediatamente l'uso del ventilatore a soffitto e contattare il costruttore, il suo centro di assistenza o un tecnico qualificato.
11. La sostituzione delle parti del sistema di sospensione di sicurezza deve essere effettuata dal costruttore, dal suo centro di assistenza o da un tecnico qualificato.
12. I dispositivi di fissaggio del ventilatore al soffitto, ad esempio i ganci, devono essere in grado di sostenere 4 volte il peso del ventilatore; l'installazione del sistema di sospensione deve essere effettuata dal costruttore, dal suo centro di assistenza o da un tecnico qualificato.



ELENCO DELLE PARTI

- Disimballare il ventilatore con attenzione. Estrarre tutti i componenti e gli accessori.
- Disporre il contenuto su una superficie piana e, prima dell'assemblaggio, assicurarsi che siano presenti tutti i componenti. In caso di componenti mancanti, riportare il prodotto presso il rivenditore affinché venga ispezionato o sostituito.
- Verificare che il ventilatore non abbia subito danni durante il trasporto. Non usare/installare il prodotto se presenta danni di qualsiasi tipo. Riportare il prodotto completo presso il rivenditore affinché venga ispezionato, riparato o sostituito.
- Esaminare tutti i componenti e verificare che corrispondano a quelli elencati di seguito.

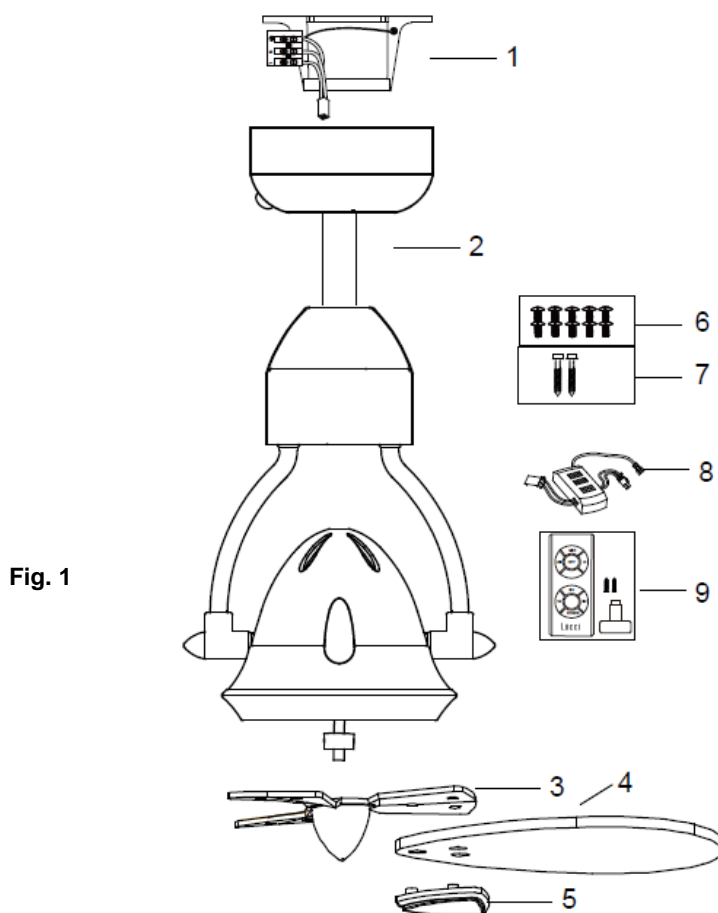


Fig. 1

- 1 Staffa di supporto x1
- 2 Unità motore x1
- 3 Supporto delle pale x1
- 4 Pala x3
- 5 Dispositivo di fissaggio della pala x3
- 6 Viti per pala x 9 (e 1 di ricambio)
- 7 Viti per staffa di supporto x2
- 8 Sensore del telecomando x1 set
- 9 Telecomando x1 set



DISTANZE DI INSTALLAZIONE

- Il ventilatore deve essere installato in modo tale che il punto più basso delle pale si trovi ad almeno 2,3 metri di distanza dal pavimento (in Europa).

NOTA: le pale si trovano nel punto più basso quando la testa del ventilatore è inclinata di 45°.

- Il ventilatore a soffitto deve essere installato in modo tale che le estremità delle pale si trovino ad almeno 1 metro di distanza da pareti o oggetti adiacenti

NOTA: la testa del ventilatore può oscillare di 60°. Tenerlo in considerazione durante la selezione del punto di installazione.

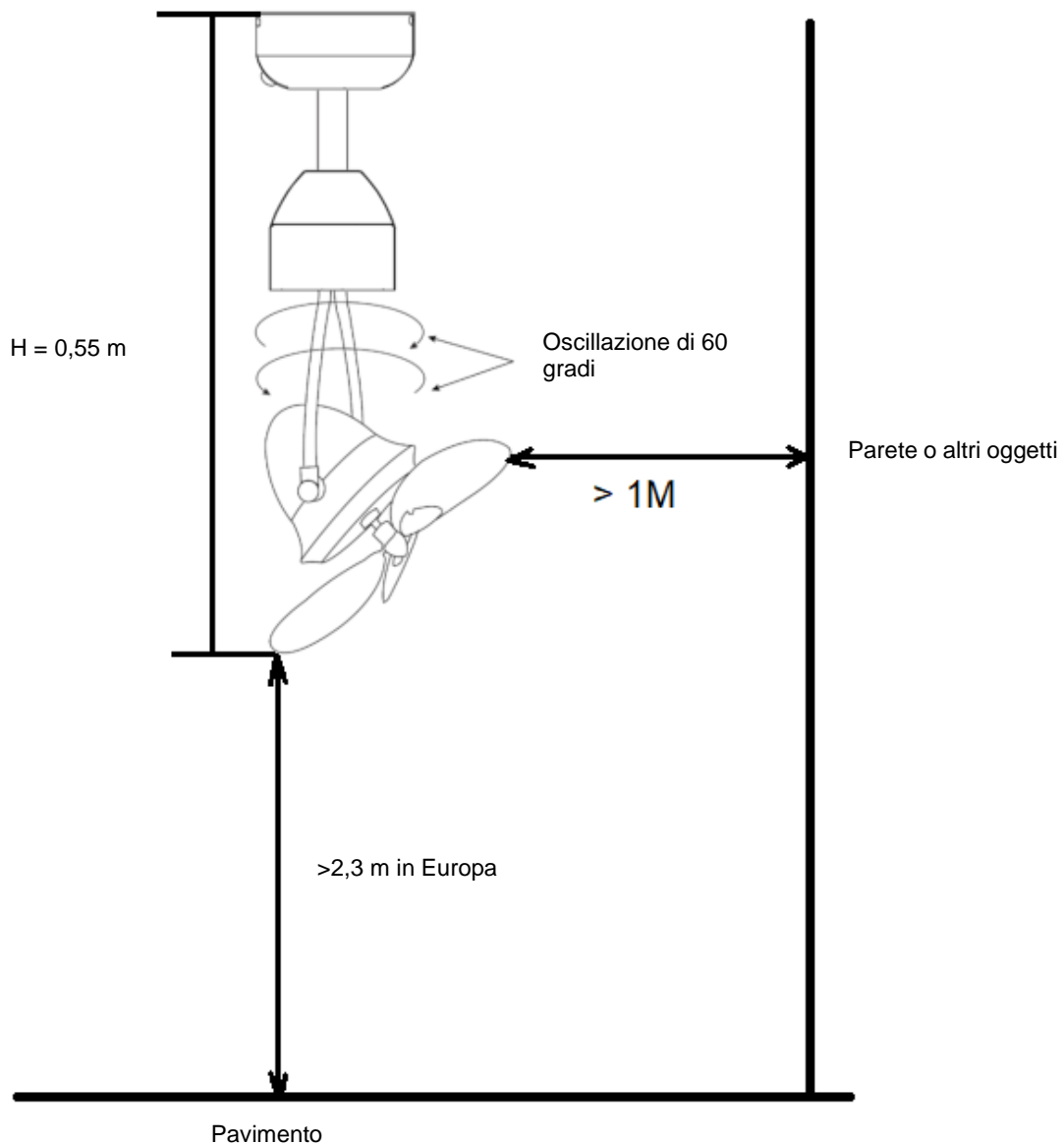
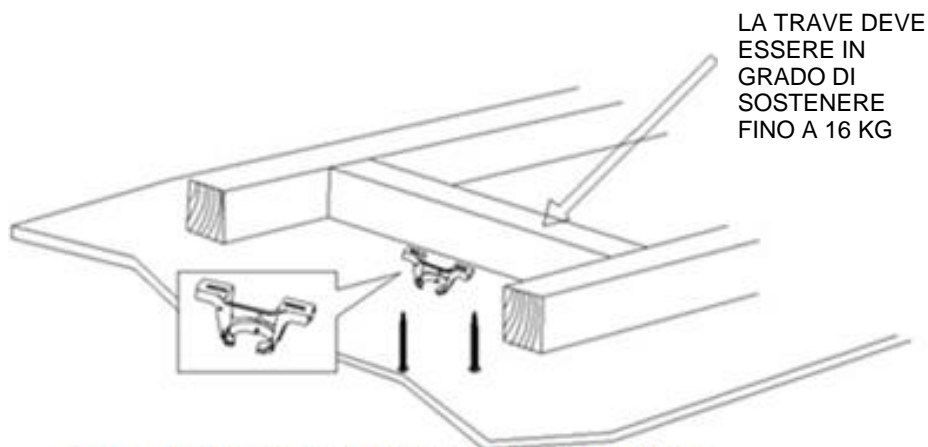


Fig. 2



INSTALLAZIONE DELLA STAFFA DI FISSAGGIO

- Fissare la staffa di supporto a una struttura o una trave del soffitto in grado di sostenere un carico di almeno 16 kg con le 4 viti lunghe fornite. Assicurarsi che almeno 30 mm della vite siano inseriti nella struttura (Fig. 3)



NOTA: L'IMMAGINE È A SOLO SCOPO ILLUSTRATIVO E NON RAPPRESENTA LA STAFFA REALE.

Fig. 3

NOTA: le viti di supporto fornite sono destinate esclusivamente a strutture in legno. Per strutture diverse dal legno, è **OBBLIGATORIO** usare viti di tipo appropriato. Assicurarsi che le viti utilizzate siano adatte alla superficie di installazione e all'ambiente circostante.

INSTALLAZIONE ANGOLATA

Questo sistema di montaggio consente di installare il ventilatore al soffitto con un angolo massimo di 13 gradi (Fig. 4).

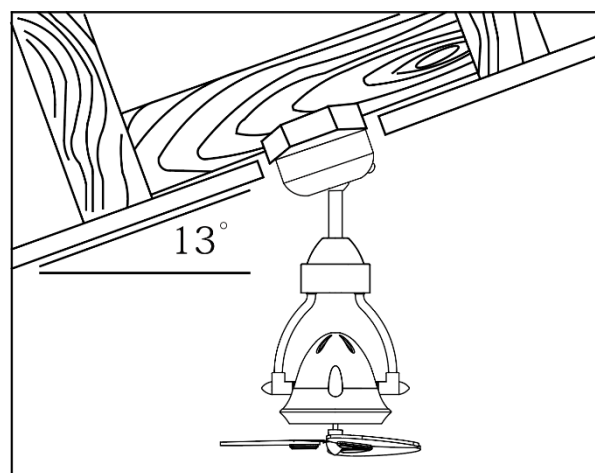


Fig. 4



INSTALLAZIONE DELLE PALE

- Allineare i 3 fori di fissaggio sulla pala (3) con i 3 fori di fissaggio sul supporto della pala (2).
- Inserire il dispositivo di fissaggio (4) nei fori dalla parte inferiore della pala (3), quindi serrare le 3viti (1) dalla parte superiore del supporto delle pale (2).
- Al termine del fissaggio, ripetere il processo per le pale rimanenti.

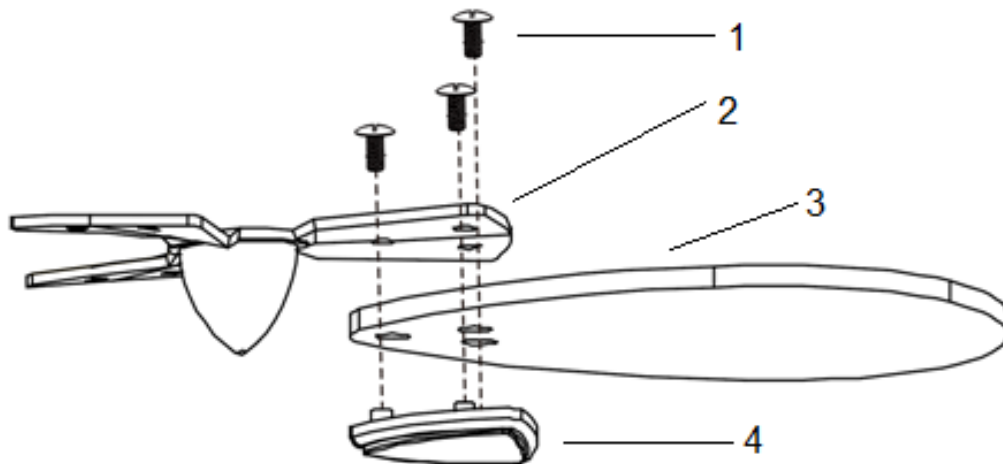


Fig. 5

- Installare le pale assemblate (7) sull'unità motore (5).
- Serrare le 2 viti di fissaggio (6) a lato del motore.

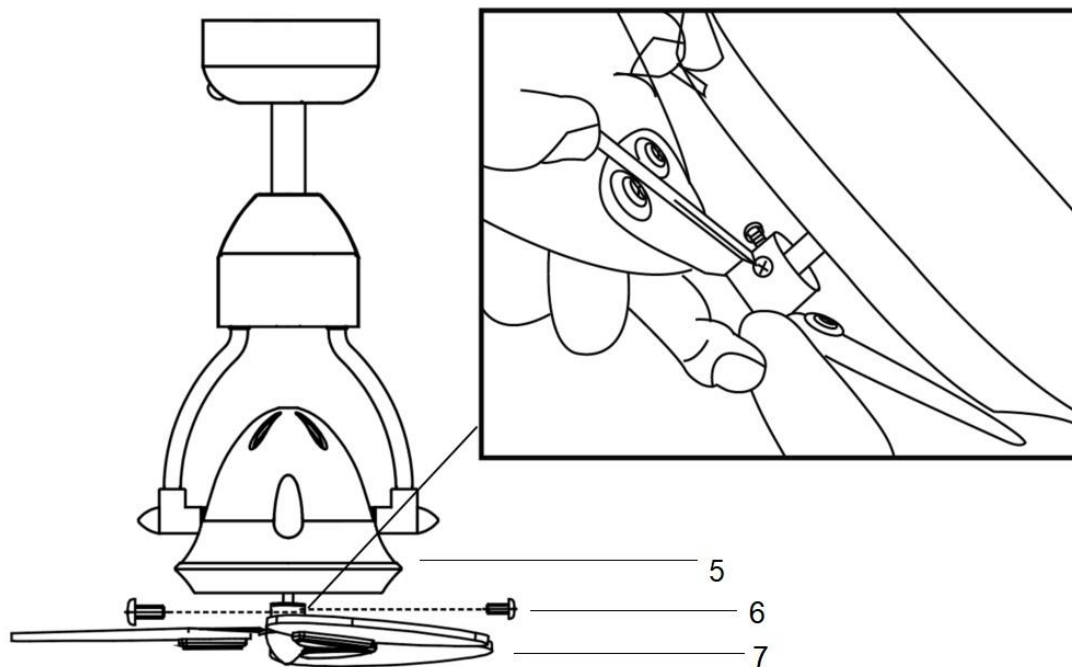


Fig. 6



FISSAGGIO DEL VENTILATORE

Avvicinare il ventilatore alla staffa di supporto. Assicurarsi che la fessura (A) del giunto sferico sia posizionata sul perno (B) della staffa di supporto (C), in modo tale da evitare che il ventilatore ruoti quando è in funzione (Fig. 7A).

NOTA: la testa del ventilatore può oscillare di 60°. Sul giunto sferico sono presenti delle fessure (Fig. 7B) che permettono di regolare l'orientamento del ventilatore.

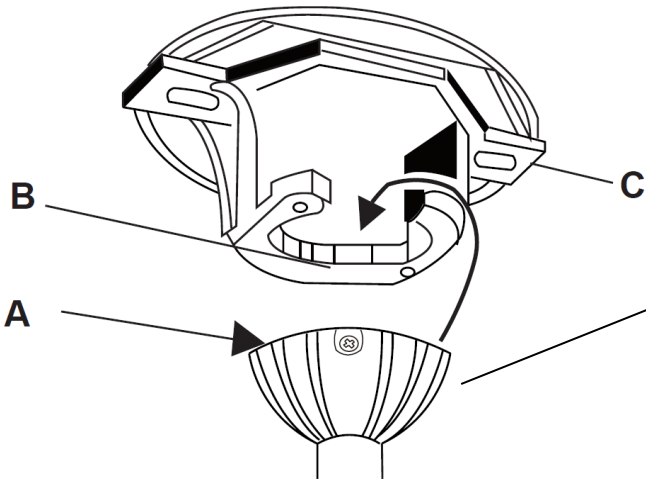


Fig. 7A



Fig. 7B



REGOLAZIONE DELLA TESTA DEL VENTILATORE

- Allentare le due viti di fissaggio da entrambi i lati del motore (Fig. 8).
- Ruotare la testa del ventilatore e orientare le viti del braccio in base all'angolazione desiderata. Sono disponibili solo tre angolazioni: 0°, 45°, 90°, riportate sull'unità motore (Fig. 9).
- Serrare nuovamente le viti dopo aver regolato la testa del ventilatore. **Assicurarsi che le viti di fissaggio siano serrate e posizionate correttamente nel foro corrispondente all'angolazione desiderata (Fig. 10).**



Fig. 8

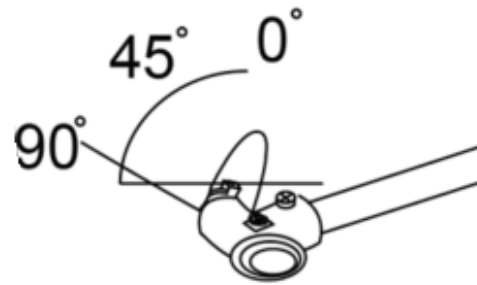
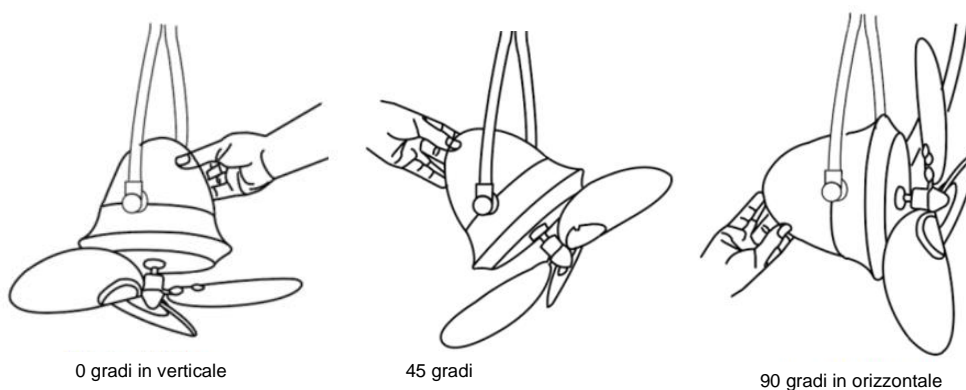


Fig. 9



Fig. 10



SCHEMA DI CABLAGGIO

AVVERTENZA! PER LA PROPRIA SICUREZZA, TUTTI I COLLEGAMENTI ELETTRICI DEVONO ESSERE EFFETTUATI DA UN ELETTRICISTA PROFESSIONISTA.

NOTA: L'IMPIANTO ELETTRICO DEVE ESSERE PROTETTO DA UN INTERRUTTORE DIFFERENZIALE.

ATTENZIONE! DOPO AVER INSTALLATO LA STAFFA DI SUPPORTO, IL RICEVITORE DEL TELECOMANDO E I CONNETTORI DEI CAVI DEL MOTORE, VERIFICARE CHE IL CORPO METALLICO DEL VENTILATORE SIA COLLEGATO A TERRA PRIMA DI ACCENDERLO.

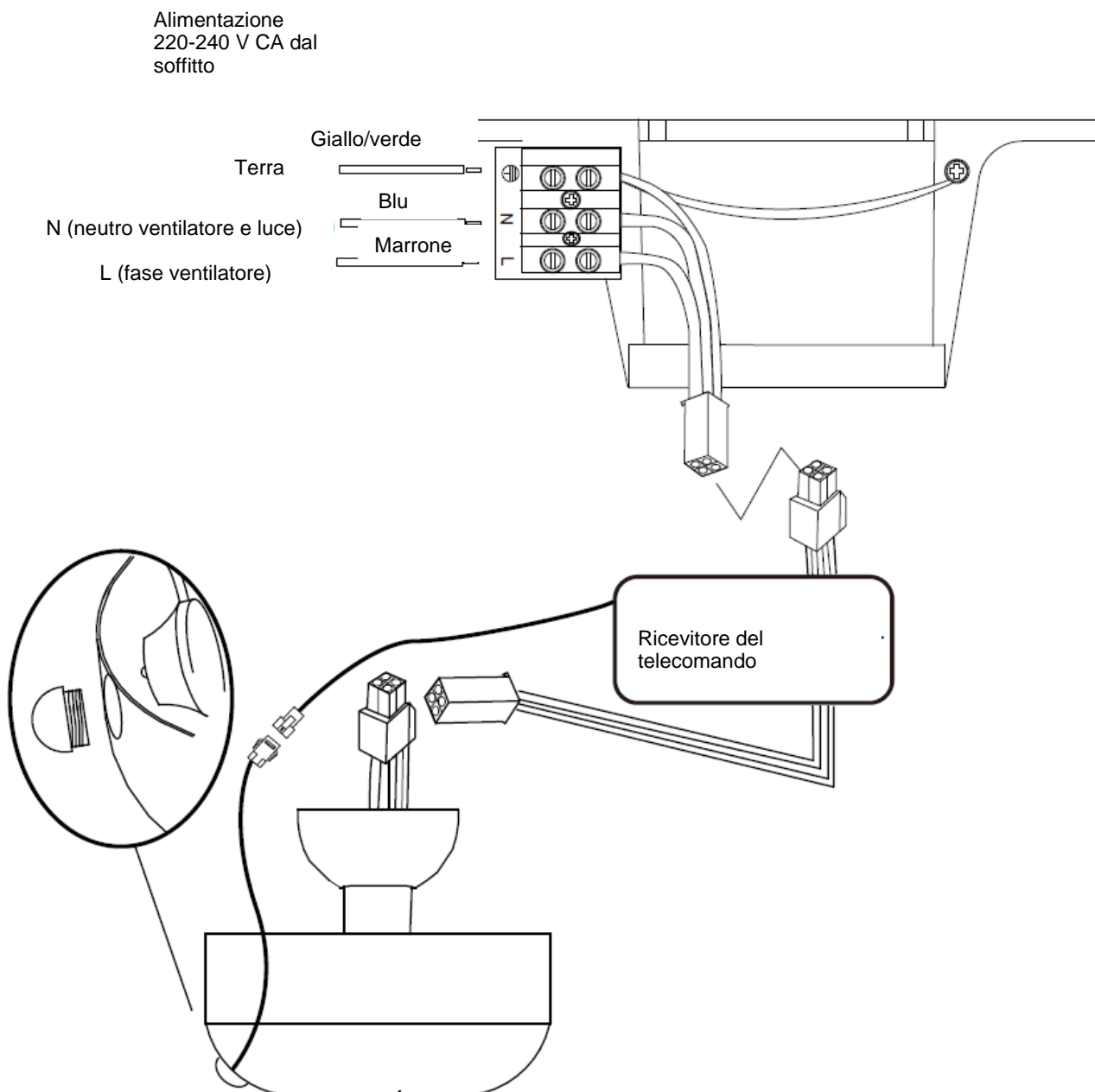


Fig. 11



TERMINE DELL'INSTALLAZIONE

- Dopo aver completato il collegamento elettrico alla morsettiera della staffa di supporto, collegare i fili elettrici del ventilatore tramite i connettori rapidi.
- Assicurarsi che il cavo di terra sia fissato saldamente e in modo corretto effettuando un test di continuità dal corpo metallico accessibile del ventilatore verso il terminale di terra sulla morsettiera nella staffa di supporto.
- Coprire la staffa di supporto con la calotta. Assicurarsi che tutti i fili elettrici siano nascosti all'interno della calotta e che i fili non subiscano danni durante questa operazione. Fissare la calotta alla staffa con le viti fornite (Fig. 12)
- Attivare l'alimentazione elettrica del circuito del ventilatore. Verificare il corretto funzionamento del ventilatore seguendo le istruzioni alla sezione "UTILIZZO DEL VENTILATORE" in questo manuale.

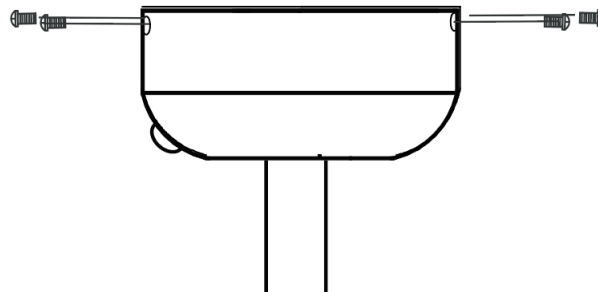


Fig. 12



UTILIZZO DEL VENTILATORE

INSTALLAZIONE DELLE BATTERIE NEL TELECOMANDO (Fig. 13)

Il ventilatore è controllato tramite il telecomando. Prima di usare il telecomando, leggere le seguenti istruzioni.

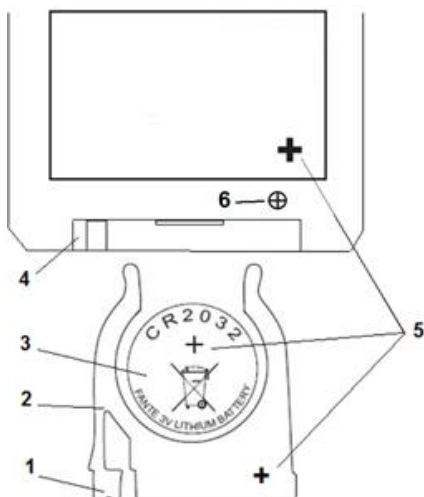


Fig. 13

Il telecomando è alimentato da 1 batteria CR2032 da 3 V.

- Rimuovere la vite (6) ed estrarre il vassoio della batteria (2) premendo il fermaglio (1).
- Posizionare la batteria (3) sul vassoio e reinserire il vassoio nel telecomando (4) orientando il simbolo "+" (5) verso l'alto.
- Assicurarsi di rispettare la polarità indicata.
- Riavvitare la vite (6) per fissare il vassoio della batteria (2).

UTILIZZO DEL TELECOMANDO (Fig. 14)

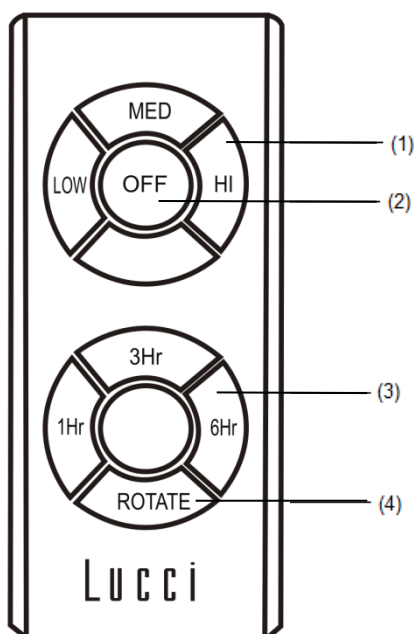


Fig. 14

- (1) Controllo della velocità (alta, media, bassa)
- (2) Accensione/spengimento del ventilatore
- (3) Timer di funzionamento (1 ora, 3 ore, 6 ore) Il ventilatore si spegnerà automaticamente dopo l'intervallo selezionato.
- (4) Attivazione/disattivazione dell'oscillazione di 60°

NOTA:

il telecomando è dotato di funzione di memoria in caso di interruzione di corrente. Alla riaccensione verranno ripristinate le ultime impostazioni.



PORTATA OPERATIVA DEL TELECOMANDO (Fig. 15)

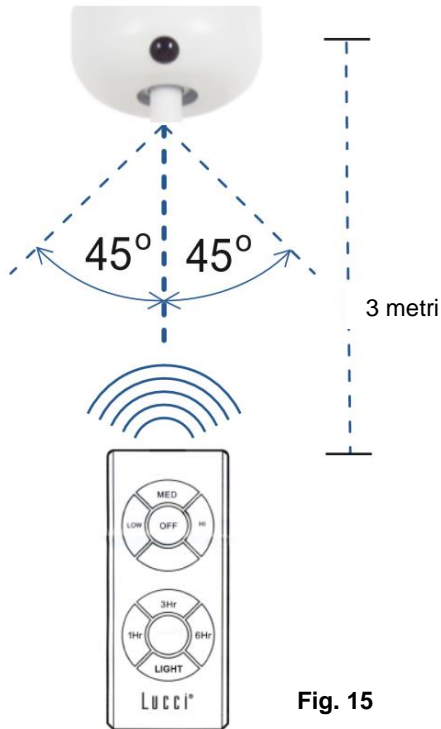


Fig. 15

Il telecomando e il ricevitore comunicano tramite segnali a infrarossi. Per funzionare, il telecomando deve essere usato rispettando le seguenti distanze:

- Circa 45° a destra e a sinistra del sensore del ricevitore.
- Distanza dal trasmettitore al sensore del ricevitore: max. 3 metri.

INSTALLAZIONE DEL SUPPORTO PER TELECOMANDO (Fig. 16)

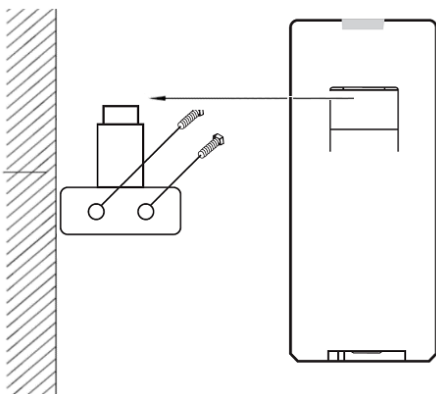


Fig. 16

Installare il supporto per telecomando alla parete con le due viti fornite, quindi posizionare il telecomando nel supporto.



DOPO L'INSTALLAZIONE**VIBRAZIONE**

NOTA: i ventilatori a soffitto tendono a muoversi durante il funzionamento perché sono fissati a una rondella in gomma. Se il ventilatore è fissato rigidamente al soffitto vibrerà in modo eccessivo. Un movimento di pochi centimetri è normale e NON è sintomo di alcun malfunzionamento.

PER RIDURRE LE VIBRAZIONI DEL VENTILATORE controllare che tutte le viti che fissano la staffa di supporto e l'asta siano avvitate saldamente.

RUMORE

Quando l'ambiente è silenzioso (in particolare durante le ore notturne), il ventilatore potrebbe produrre occasionalmente dei leggeri rumori. Leggere fluttuazioni dell'alimentazione elettrica e segnali elettrici di frequenza sovrapposti per il controllo dell'acqua calda nelle fasce orarie ridotte possono causare variazioni nel rumore del motore del ventilatore. È un fenomeno normale. La maggior parte dei rumori associati a un nuovo ventilatore scomparirà entro un periodo di assestamento di 24 ore.

La garanzia del produttore copre difetti reali e NON disturbi minori come il rumore del motore in funzione; tutti i motori elettrici producono rumore in una certa misura.

PULIZIA E MANUTENZIONE

NOTA: DISATTIVARE sempre l'alimentazione elettrica prima di effettuare le operazioni di pulizia e manutenzione sul ventilatore.

- La pulizia periodica del ventilatore ogni 6 mesi è l'unica operazione di manutenzione necessaria. Utilizzare una spazzola morbida o un panno privo di pelucchi per evitare di graffiare la finitura. Disattivare l'alimentazione elettrica prima della pulizia.
- Non immergere il ventilatore in acqua o altri liquidi per evitare danni al motore o alle pale e il rischio di scossa elettrica.
- Assicurarsi che il ventilatore non entri a contatto con detersivi o solventi organici.
- Per pulire le pale del ventilatore, usare esclusivamente un panno pulito e umido **SENZA** detersivi o solventi organici.
- Il motore contiene un cuscinetto permanentemente lubrificato, quindi non è necessario aggiungere lubrificante.



AVVERTENZE RELATIVE ALLE BATTERIE A BOTTONE

Per evitare l'attivazione involontaria del ventilatore durante l'inserimento o la sostituzione delle batterie, il ventilatore deve essere scollegato dalla rete elettrica.

- **AVVERTENZA!** Conservare le batterie nuove e scariche fuori dalla portata dei bambini.
- **ATTENZIONE!** Non ingerire la batteria. Rischio di ustioni chimiche.
- Rimuovere le batterie dal telecomando prima di smaltirlo.
- Utilizzare esclusivamente una batteria al litio CR2032 per alimentare il telecomando di questo ventilatore.
- Smaltire le batterie scariche immediatamente e in modo sicuro (affinché non possano essere usate dai bambini). Le batterie scariche possono essere pericolose. Contattare le autorità locali per informazioni sullo smaltimento sicuro delle batterie.
- Inserire le batterie rispettando la corretta polarità.
- Non usare batterie ricaricabili in questo prodotto.
- Ispezionare regolarmente il prodotto e assicurarsi che il coperchio del vano batterie sia chiuso saldamente. Se il vano batterie non si chiude saldamente, non usare il prodotto e tenerlo fuori dalla portata dei bambini.
- Rimuovere le batterie dal prodotto in previsione di un lungo periodo di inutilizzo.
- Se si teme che le batterie siano state ingerite o siano penetrate all'interno del corpo, contattare immediatamente un medico.

SPECIFICHE TECNICHE

Tipo di ventilatore	Ventilatore a soffitto oscillante di 60°		
N. di modello/SKU#	LD-15" HAVA-ORB/ SKU# 213160	LD-15" HAVA-BLK/ SKU# 213161	LD-15" HAVA-CHW/ SKU# 213162
Colore	Orb	Nero	Bianco
Tensione nominale	220-240 V~ 50 Hz		
Potenza nominale	55 W (51 W motore di ventilazione + 4 W motore di oscillazione)		
Batteria del telecomando	CR2032 3 V		
Peso	3,8 kg		
Dimensioni	Diam: 380 mm H: 550 mm max.		
Dimensioni della calotta	H: 60 mm Diam: 130 mm		

INFORMAZIONI SULLA GARANZIA

IN EUROPA – Gli acquirenti europei possono contattare il punto vendita per eventuali richieste di intervento in garanzia.




This fan is suitable for indoor and alfresco areas where the fan is fully undercover with a minimum of 2 walls. This fan is not waterproof. When installed in an alfresco area, the ceiling fan must be positioned in a location protected from water, wind, dust and salt. Exposure to these elements will void the warranty. Mounting the fan in a situation where it is subject to water or moisture is dangerous.

NL

BEDANKT VOOR UW AANKOOP

Bedankt voor uw aankoop van dit hoogwaardig Lucci-product. Om een juiste en veilige werking te garanderen, moet u de instructies aandachtig lezen en begrijpen alvorens te beginnen met de montage, installatie of het gebruik van het product. Bewaar deze gebruiksaanwijzing voor toekomstige raadpleging.

VEILIGHEIDSMATREGELEN

1. Dit apparaat kan worden gebruikt door kinderen vanaf 8 jaar en personen met verminderde fysieke, zintuiglijke of mentale vermogens of een gebrek aan ervaring en kennis, indien zij onder toezicht staan of instructies hebben gekregen over het veilige gebruik van het apparaat en als zij de gevaren ervan begrijpen. Reiniging en onderhoud mag zonder toezicht niet door kinderen worden uitgevoerd.
2. Kinderen moeten onder toezicht staan om er zeker van te zijn dat ze niet met het apparaat spelen.
3. Zorg dat de ventilator wordt aangesloten op een schakelaar waarbij alle polen worden onderbroken en volg de plaatselijke bedradingsvoorschriften.
4.  Gooi elektrische apparaten niet weg als ongesorteerd huishoudelijk afval. Maak gebruik van aparte inzamelingsfaciliteiten voor elektrische apparatuur. Neem contact op met uw gemeente voor informatie over de beschikbare inzamelingsystemen.
5. Als elektrische apparaten op stortplaatsen terechtkomen, kunnen gevaarlijke stoffen in het grondwater lekken en in de voedselketen terechtkomen, wat schadelijk is voor uw gezondheid en welzijn.
6. De (plafond-)constructie waarop de ventilator wordt gemonteerd moet een gewicht van 16 kg kunnen dragen.
7. De ventilator moet zo worden gemonteerd dat de ventilatorbladen zich volgens Europese wetgeving minstens 2,3 m boven de vloer bevinden. (Zie het hoofdstuk 'Goedkeuringsvrijgave' voor meer informatie.)
8. Deze ventilator is geschikt voor binnen- en buitenruimtes waar de ventilator niet blootgesteld is aan regen en vocht en in een ruimte met minimaal 2 wanden. Deze ventilator is niet waterdicht. Wanneer deze plafondventilator buitenshuis (terras) wordt geïnstalleerd, kies dan voor een locatie die tegen water, wind en stof is beschermd. Blootstelling aan deze elementen zal de garantie ongeldig maken. De ventilator op een plaats monteren waar deze aan water of vocht onderhevig is, is gevaarlijk en kan het risico op schade, letsel of elektrische schokken vergroten en zal de garantie ongeldig maken.
9. Het apparaat moet worden gemonteerd en geïnstalleerd door een erkend elektricien.
10. **WAARSCHUWING:** Bij ongewone trillingen of oscillerende bewegingen moet het gebruik van de plafondventilator onmiddellijk worden gestaakt en moet contact worden opgenomen met de fabrikant, een servicetechnicus of een daartoe bevoegde persoon.



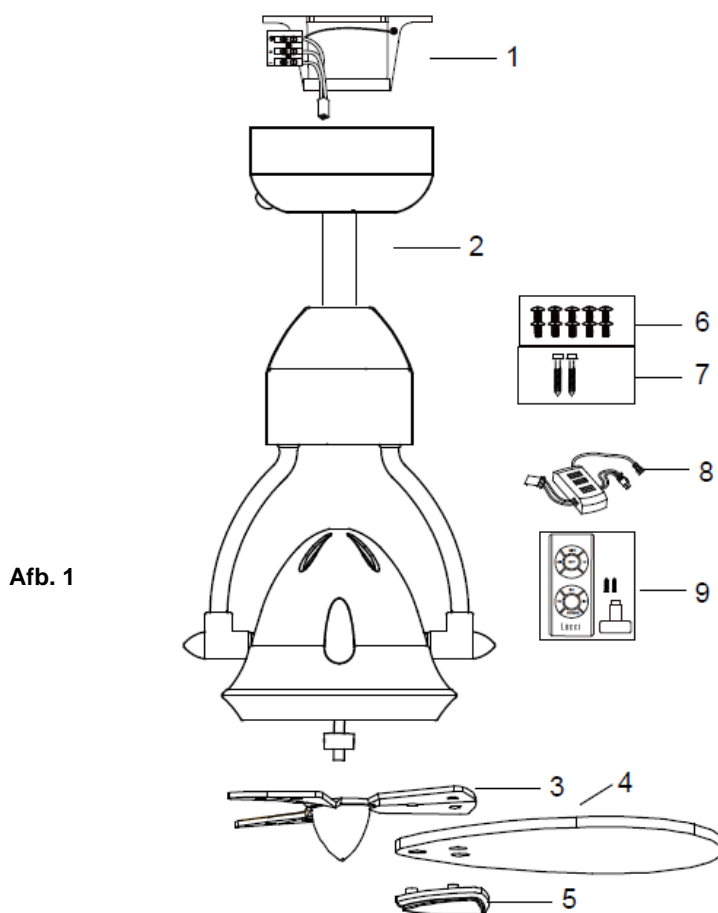
11. De vervanging van onderdelen van de veiligheidsophanging moet worden uitgevoerd door de fabrikant, een servicetechnicus of een daartoe bevoegde persoon.
12. De bevestigingsmiddelen voor het plafond, zoals haken of andere onderdelen, moeten voldoende stevig worden bevestigd om 4 maal het gewicht van de plafondventilator te kunnen weerstaan; de montage van het ophangstelsel moet worden uitgevoerd door de fabrikant, een servicetechnicus of een daartoe bevoegde persoon.



This fan is suitable for indoor and alfresco areas where the fan is fully undercover with a minimum of 2 walls. This fan is not waterproof. When installed in an alfresco area, the ceiling fan must be positioned in a location protected from water, wind, dust and salt. Exposure to these elements will void the warranty. Mounting the fan in a situation where it is subject to water or moisture is dangerous.

ONDERDELENLIJST

- Pak de plafondventilator voorzichtig uit. Verwijder alle onderdelen en hardware.
- Leg alle onderdelen op een vlakke ondergrond en controleer of alle noodzakelijke onderdelen aanwezig zijn. Als er onderdelen ontbreken, stuur het volledige product terug naar de plaats van aankoop voor inspectie of vervanging.
- Controleer of de plafondventilator tijdens het transport is beschadigd. Bedien/installeer geen product dat op welke wijze dan ook beschadigd lijkt te zijn. Stuur het beschadigde product terug naar de plaats van aankoop voor inspectie of vervanging.
- Bestudeer alle onderdelen. U zou het volgende moeten hebben:



- 1 Montagebeugel x 1
- 2 Ventilatormotoreenheid x 1
- 3 Ventilatorbladbeugel x 1
- 4 Ventilatorblad x 3
- 5 Ventilatorbladen bevestigingsdop x 3
- 6 Ventilatorbladschroef x 9 (en 1 reserve)
- 7 Schroef voor montagebeugel x 2
- 8 Afstandsbedieningsontvanger x 1 set
- 9 Afstandsbedieningszender x 1 set



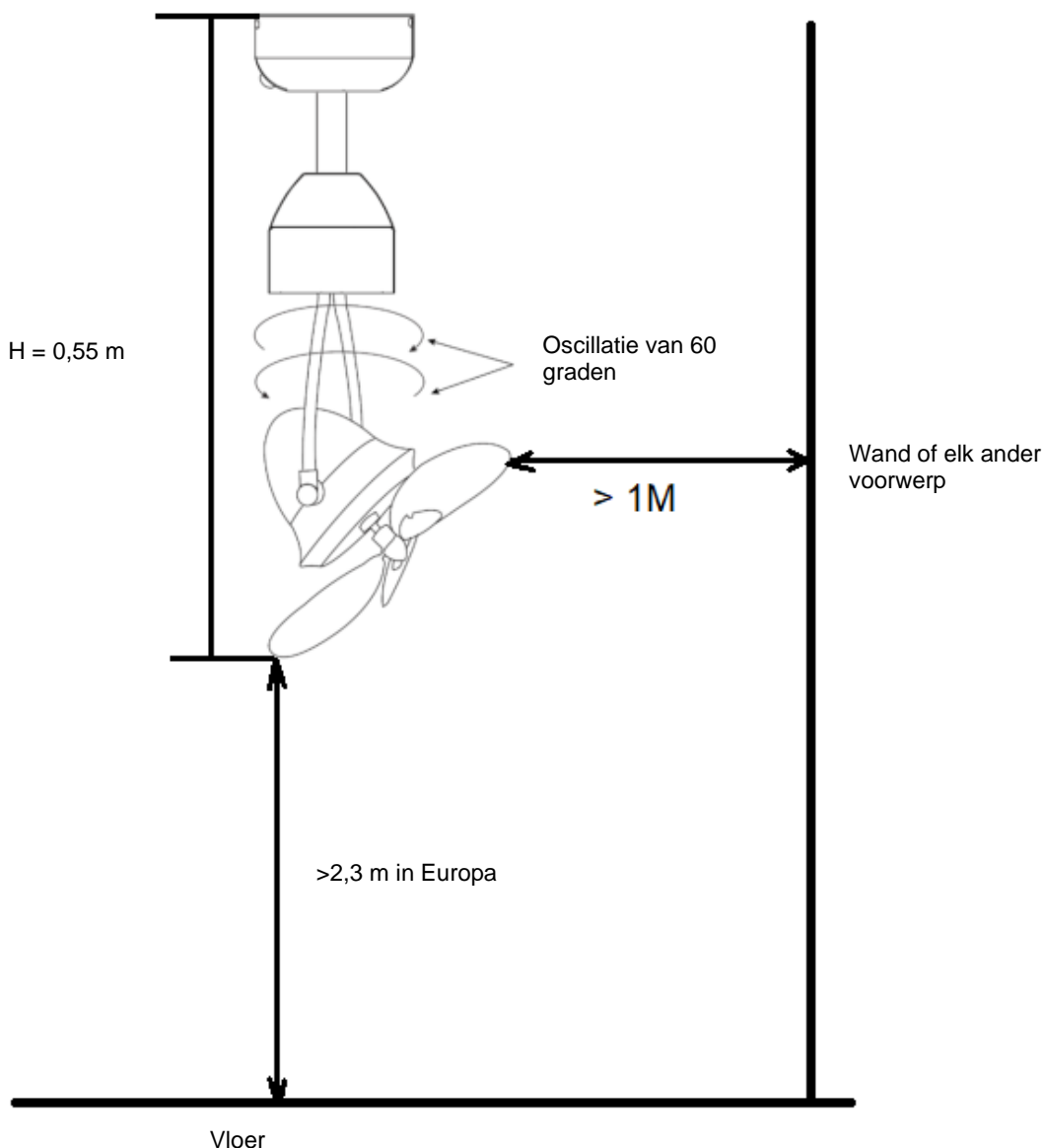
GOEDKEURINGSVRIJGAVE

- De ventilator moet volgens Europese wetgeving zo worden geïnstalleerd dat het laagste punt van het ventilatorblad zich 2,3 m boven de vloer bevindt.

OPMERKING: Het laagste punt van het ventilatorblad is als de ventilatorkop 45° wordt aangepast.

- De plafondventilator moet zodanig worden geïnstalleerd dat het uiteinde van de ventilatorbladen minstens 1 m verwijderd is van het dichtstbijzijnde object of de muur.

OPMERKING: Houd er alstublieft rekening mee dat de ventilatorkop 60° kan oscilleren. Houd hier alstublieft rekening mee bij de keuze van de installatielocatie.

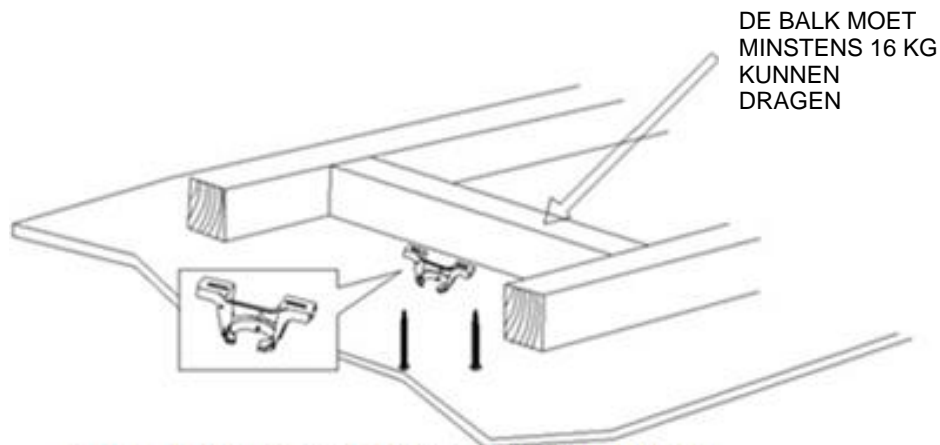


Afb. 2



INSTALLATIE VAN DE MONTAGEBEUGEL

- Monteer de ophangbeugel met de twee lange meegeleverde schroeven aan een plafondbalk of een stevig punt aan het plafond dat minstens 16 kg kan dragen. Zorg ervoor dat ten minste 30 mm van de schroef in de plafondbalk of in het plafond wordt gedraaid. (Afb. 3)



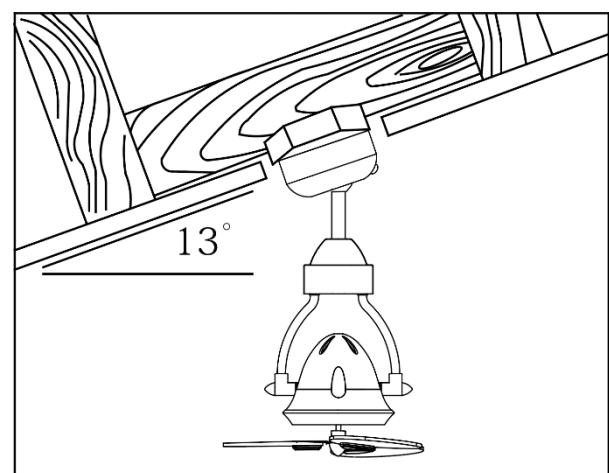
OPMERKING: DEZE AFBEELDING DIENT ALLEEN TER REFERENTIE, HET IS GEEN WERKELIJKE VOORSTELLING VAN DE BEUGEL.

Afb. 3

OPMERKING: De meegeleverde beugelschroeven zijn alleen voor gebruik met houten constructies. Voor andere constructies dan hout moet het juiste schroeftype en eventueel pluggen worden gebruikt. Controleer of de gebruikte schroeven geschikt zijn voor het montageoppervlak.

PLAATSING ONDER EEN HOEK

Dit ventilatorophangstelsel ondersteunt een plaatsing onder een hoek van maximaal 13 graden. (Afb.4)

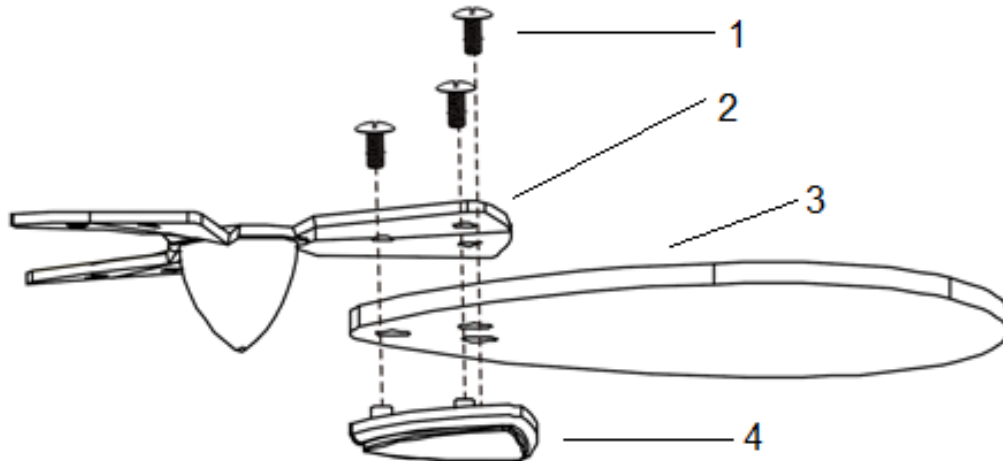


Afb. 4



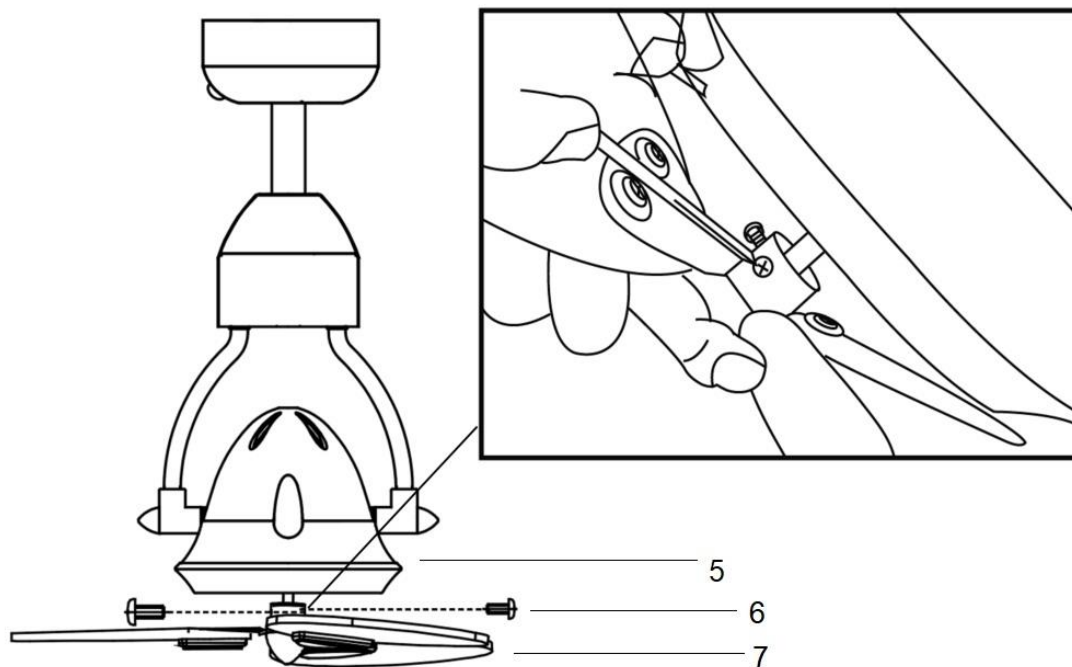
INSTALLATIE VAN DE VENTILATORBLADEN

- Breng de 3 bevestigingsgaten van het blad (3) in een lijn met de 3 montagegaten van de bladbeugel (2);
- Plaats de bevestigingsdop (4) op de montagegaten aan de onderkant van het blad (3) en zet ze vast door de 3 schroeven (1) van de bovenkant van de bladbeugel (2) vast te draaien;
- Zodra voltooid, herhaalt u deze procedure voor de overige bladen.



Afb. 5

- Installeer de gemonteerde ventilatorbladen (7) op de motoreenheid (5);
- Draai de 2 instelschroeven (6) aan de zijkant van de motorschacht vast;



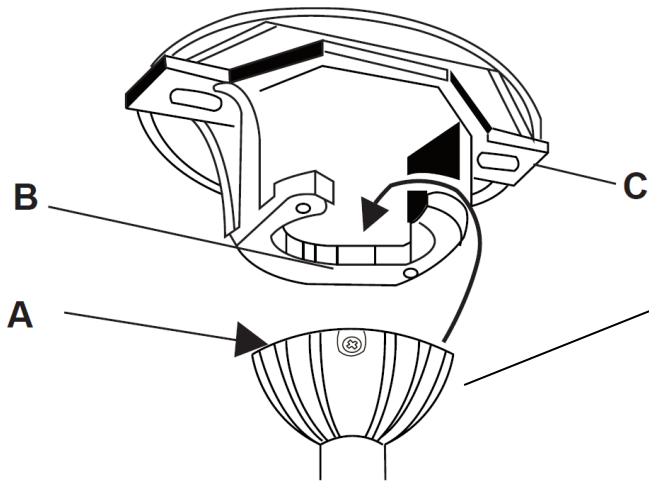
Afb. 6



DE VENTILATOR OPHANGEN

Plaats de ventilatoreenheid op de montagebeugel. Zorg ervoor dat de gleuf (A) van de ophangkogel op de pen (B) van de montagebeugel (C) is geplaatst om te voorkomen dat de ventilator tijdens het gebruik draait. (Afb. 7A)

OPMERKING: Houd er alstublieft rekening mee dat de ventilatorkop 60° kan oscilleren. Er zijn gleuven (afb. 7B) aan de bevestigingsbal die een aanpassing van de richting van de ventilator in overeenstemming met uw wensen mogelijk maakt.



Afb. 7A

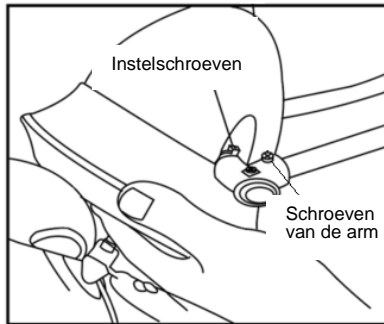


Afb. 7B

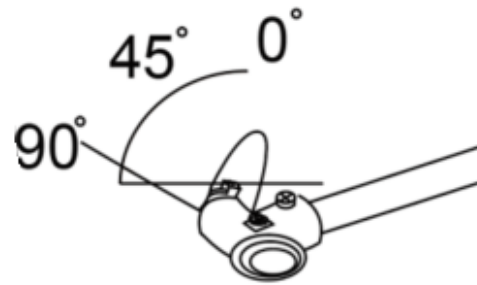


AANPASSING VAN DE VENTILATORKOP

- Maak de twee instelschroeven aan beide zijden van de motor los; (Afb. 8)
- Draai de ventilatorkop en richt de schroef van de arm uit in de gewenste hoek (Er zijn slechts drie hoeken mogelijk: 0°, 45°, 90°. Ze zijn gemarkeerd op het motorgedeelte) (Afb. 9)
- Draai de instelschroeven weer vast na het aanpassen van de gewenste hoek. **Zorg ervoor dat de instelschroeven vast zitten en goed gepositioneerd zijn in de sleuf van de gewenste hoek. (Afb. 10)**



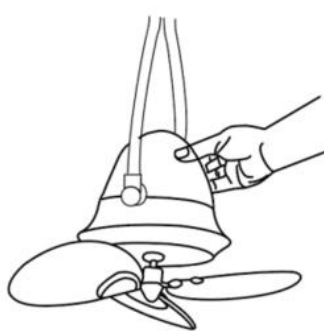
Afb. 8



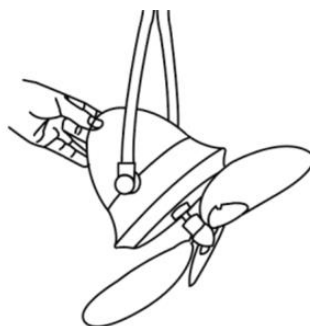
Afb. 9



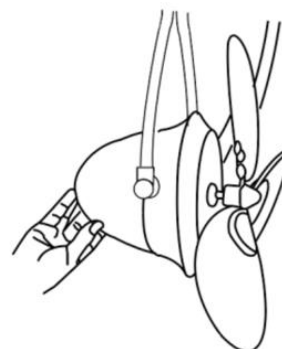
Afb. 10



Verticaal 0 graden



45 graden



Horizontaal 90 graden

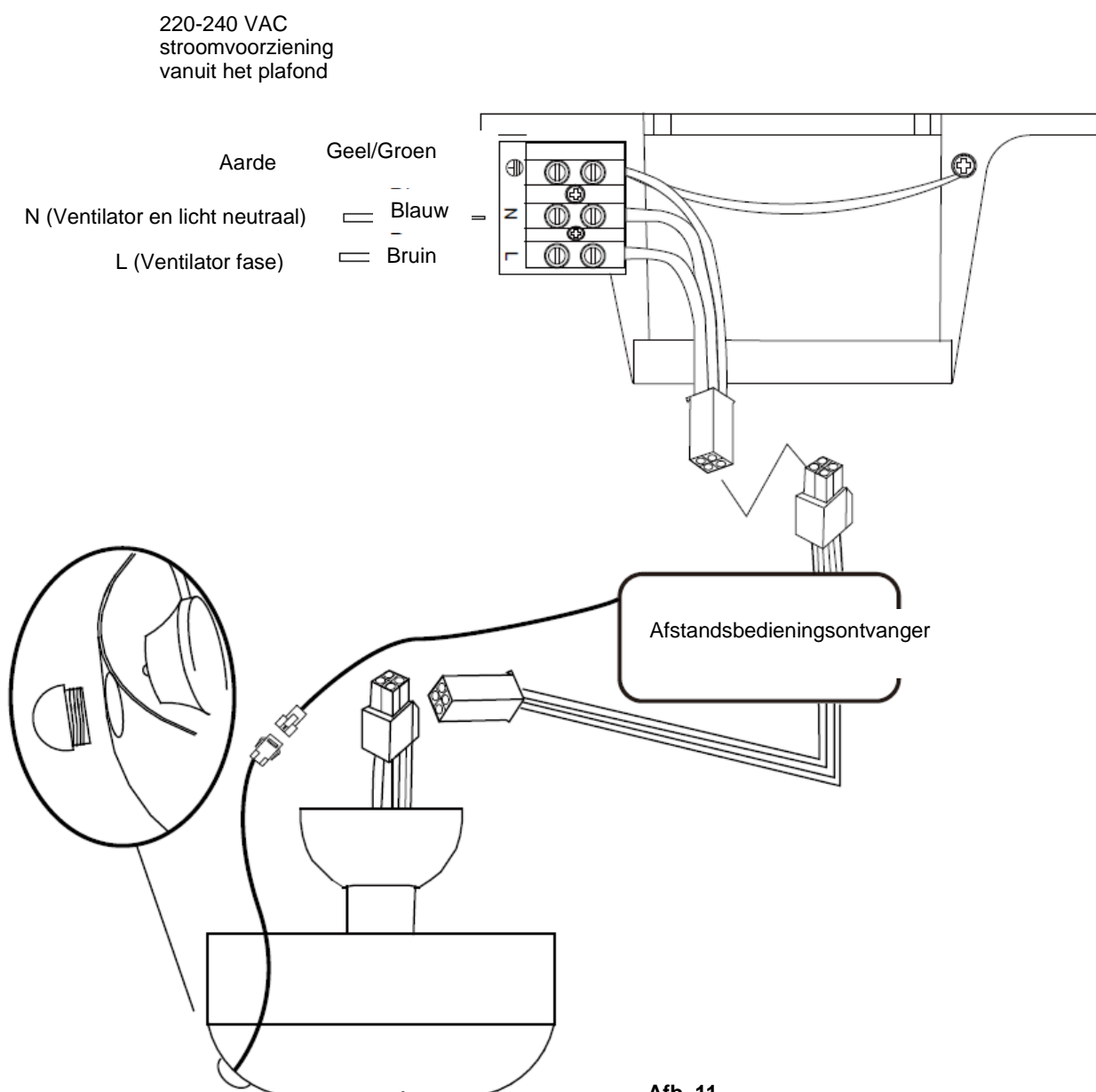


ELEKTRISCH BEDRADINGSSHEMA

WAARSCHUWING: VOOR UW VEILIGHEID MOETEN ALLE ELEKTRISCHE AANSLUITINGEN WORDEN UITGEVOERD DOOR EEN ERKEND ELEKTRICIEN.

OPMERKING: IN DE VASTE BEDRADING MOET EEN MEERPOLIGE SCHEIDINGSSCHAKELAAR WORDEN OPGENOMEN.

OPGELET: ZORG VOOR CONTINUÏTEIT VAN DE AARDE OP DE METALEN BEHUIZING VAN DE VENTILATOR NAAR DE AARDINGSKLEM NA HET AANSLUITEN VAN DE MONTAGEBEUGEL, AFSTANDSBEDIENINGSONTVANGER EN AANSLUITING VAN DE BEDRADING VAN DE VENTILATORMOTOR ALVORENS DE STROOM IN TE SCHAKELEN.

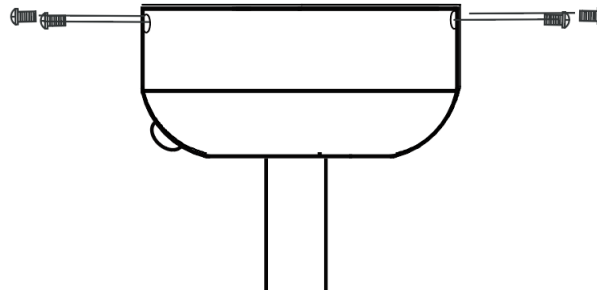


Afb. 11



DE INSTALLATIE VOLTOOIEN

- Na het voltooiën van de elektrische aansluiting op het aansluitblok van de montagebeugel, verbind de bedrading van de plafondventilator met behulp van de snelkoppeling.
- Zorg ervoor dat de aardebedrading veilig en correct is, door een aardingscontinuïteitstest uit te voeren vanaf de metalen behuizing van de ventilator tot aan de aardklem op het aansluitblok van de montagebeugel.
- Bedek de montagebeugel met de overkapping. Zorg dat alle elektrische draden in de overkapping zitten. Zorg dat ze niet worden beschadigd. Maak de overkapping vast aan de ophangbeugel met behulp van de meegeleverde schroeven. (Afb. 12)
- Schakel de ventilator in. Test de werking van de ventilator en gebruik de ventilator overeenkomstig de instructies die in de sectie "UW PLAFONDVENTILATOR" zijn vermeld.



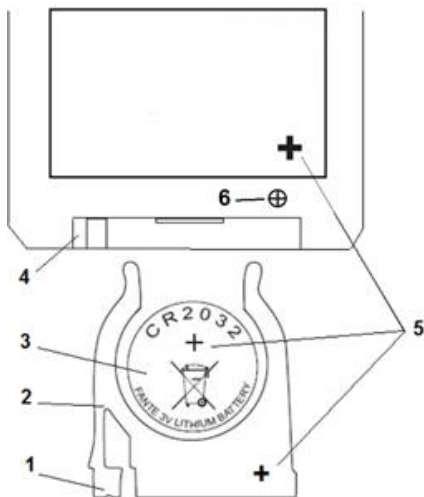
Afb. 12



GEBRUIK VAN DE PLAFONDVENTILATOR

DE BATTERIJ IN DE AFSTANDBEDIENING PLAATSEN (afb. 13)

Uw plafondventilator wordt door middel van de afstandsbediening bediend. Alvorens de afstandsbediening te gebruiken moet u rekening houden met het volgende.

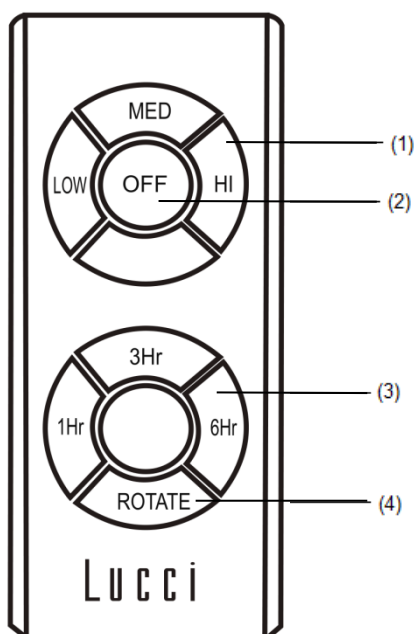


Afb. 13

U heeft 1 x CR2032 3V batterij nodig voor de afstandsbediening.

- Verwijder de schroef (6) en trek het batterijvak (2) eruit door op de klem (1) te drukken en het batterijvak vervolgens uit te trekken.
- Plaats de batterij (3) in het vak en steek het vak vervolgens opnieuw in de afstandsbediening (4), aangegeven met het "+" polariteitssymbool (5).
- Installeer de batterij volgens de juiste polariteit zoals afgebeeld in het batterijvak.
- Draai de schroef (6) stevig in het batterijvak (2) vast.

GEBRUIK VAN DE AFSTANDBEDIENING (afb. 14)



Afb. 14

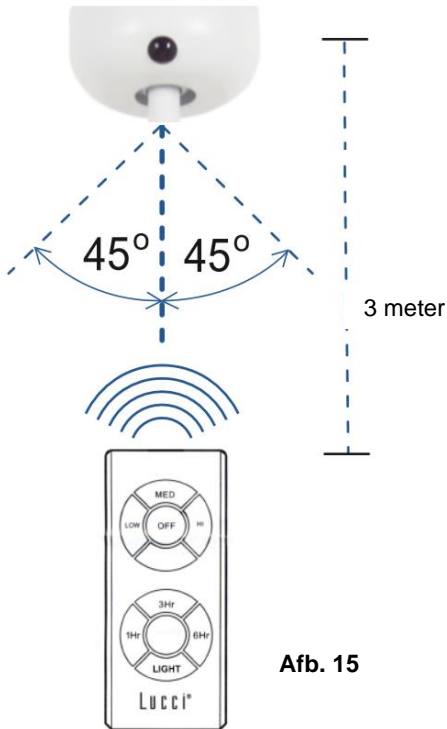
- (1) Instellen van de snelheid (HOOG, GEMIDDELD, LAAG);
- (2) Ventilator aan/uit;
- (3) Tijdsregeling van de ventilator (1 uur, 3 uur, 6 uur).
De ventilator wordt automatisch gestopt nadat de geselecteerde tijd is verstreken.
- (4) 60° oscillatie aan/uit

OPMERKING:

De afstandsbediening heeft een geheugenfunctie als de stroom wordt uitgeschakeld. Hij gaat terug naar de laatste status als de stroom weer wordt ingeschakeld.



EFFECTIEVE LOCATIE VOOR DE INFRAROOD AFSTANDSBEDIENING (afb. 15)

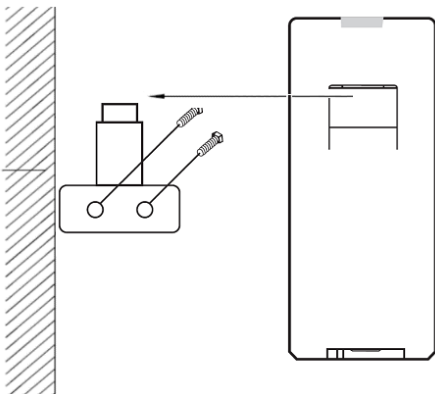


Afb. 15

De zender en ontvanger communiceren door middel van een infrarood signaal. De afstandsbediening moet binnen de volgende afstanden worden gebruikt:

- Ongeveer 45° van de infraroodsensor links & rechts.
- Afstand van de zender tot de infrarood sensor: Max. 3 meter.

INSTALLATIE VAN DE HOUDER VOOR DE AFSTANDSBEDIENING (afb. 16)



Afb. 16

Installeer de houder voor de afstandsbediening aan de muur met behulp van de twee schroeven. Plaats de afstandsbediening vervolgens in de houder.



NA INSTALLATIE**WIEBELEN:**

OPMERKING: Plafondventilators hebben de neiging om tijdens het gebruik te bewegen door het feit dat ze op een rubberen doorvoertules zijn gemonteerd. Als de ventilator vast aan het plafond werd gemonteerd, zou dit buitensporige trillingen veroorzaken. Bewegingen van enkele centimeters zijn acceptabel en is GEEN defect van het apparaat.

OM HET WIEBELEN VAN DE VENTILATOR TE VERMINDEREN: Controleer of alle schroeven waarmee de montagebeugel en de onderstang zijn bevestigd, goed vastzitten.

GELUID:

Wanneer het stil is (vooral 's nachts) kan het zijn dat u af en toe kleine geluiden hoort. Lichte stroomschommelingen en frequentiesignalen die op het elektriciteitssignaal worden gesuperponeerd voor de warmwaterbeheersing buiten de piekuren, kunnen een verandering in het geluid van de ventilatormotor veroorzaken. Dit is normaal. Houd rekening met een "instelperiode" van 24 uur. De meeste geluiden die gepaard gaan met een nieuwe ventilator verdwijnen gedurende deze periode.

De garantie van de fabrikant dekt de werkelijke fouten die zich kunnen ontwikkelen en NIET kleine klachten zoals motorgeluid - Alle elektromotoren produceren tot op zekere hoogte geluid.

ONDERHOUD EN REINIGING

OPMERKING: Schakel altijd eerst de stroom uit met de netschakelaar voordat u onderhoud uitvoert of uw ventilator probeert te reinigen.

- Elke 6 maanden is periodieke reiniging van uw ventilator het enige onderhoud dat nodig is. Gebruik een zachte borstel of pluivrije doek om krassen op de laklaag te voorkomen. Schakel de elektriciteit uit als u dat doet.
- Laat uw ventilator niet weken of onderdompelen in water of andere vloeistoffen. Het kan de motor of de bladen beschadigen en een elektrische schok veroorzaken.
- Zorg ervoor dat de ventilator niet in contact komt met organische oplosmiddelen of reinigingsmiddelen.
- Om het ventilatorblad te reinigen, veegt u het af met een vochtige, schone doek met GEEN organische oplosmiddelen of reinigingsmiddelen.
- De motor heeft een permanent gesmeerde kogellager zodat er geen olie nodig is.



VEILIGHEID EN VOORZORGSMAATREGELEN VOOR DE KNOOPCELBATTERIJ

Om te voorkomen dat de plafondventilator tijdens het plaatsen of vervangen van de batterijen verkeerd wordt gebruikt, moet de plafondventilator worden uitgeschakeld.

- **WAARSCHUWING** - Houd nieuwe en gebruikte batterijen uit de buurt van kinderen.
- **OPGELET** - Slik batterijen niet in - risico voor chemische verbrandingen.
- De batterijen moeten uit de afstandsbediening worden verwijderd voordat het apparaat wordt afgedankt.
- Gebruik altijd een CR2032 lithiumbatterij voor de afstandsbediening.
- Gooi gebruikte batterijen onmiddellijk en veilig weg (zodat ze niet door kinderen kunnen worden bereikt). Lege batterijen kunnen nog altijd gevaarlijk zijn. Neem contact op met uw gemeente om de batterijen veilig af te voeren.
- Zorg ervoor dat de batterijen met de juiste polariteit zijn geplaatst.
- Gebruik geen oplaadbare batterijen in dit product.
- Controleer het product regelmatig en zorg ervoor dat het deksel van het batterijvak goed vastzit. Als het batterijcompartiment niet goed sluit, stop dan met het gebruik van het product en houd het uit de buurt van kinderen.
- Verwijder de batterijen als u het apparaat voor langere tijd niet gebruikt.
- Als u denkt dat batterijen zijn ingeslikt of in een lichaamsopening zijn geplaatst, moet u onmiddellijk medische hulp inroepen.

TECHNISCHE INFORMATIE

Ventilator type	Bevestigd aan het plafond, 60° oscillatieventilator		
Modelnr./SKU#	LD-15" HAVA-ORB/ SKU# 213160	LD-15" HAVA-BLK/ SKU# 213161	LD-15" HAVA-CHW/ SKU# 213162
Kleur	Orb	Zwart	Wit
Nominale spanning	220-240 V~ 50Hz		
Nominaal vermogen	55 W (51 W ventilatormotor + 4 W oscillatiemotor)		
Batterijen voor afstandsbediening	CR2032 3V		
Gewicht	3,8 kg		
Afmeting	Diameter: 380 mm h: 550 mm max.		
Afmetingen van de overkapping	H: 60 mm diameter: 130 mm		

GARANTIE-INFORMATIE

IN EUROPA - Als u een Europese klant bent, neem dan contact op met het verkooppunt waar de ventilator is gekocht voor garantieservice.



This fan is suitable for indoor and alfresco areas where the fan is fully undercover with a minimum of 2 walls. This fan is not waterproof. When installed in an alfresco area, the ceiling fan must be positioned in a location protected from water, wind, dust and salt. Exposure to these elements will void the warranty. Mounting the fan in a situation where it is subject to water or moisture is dangerous.