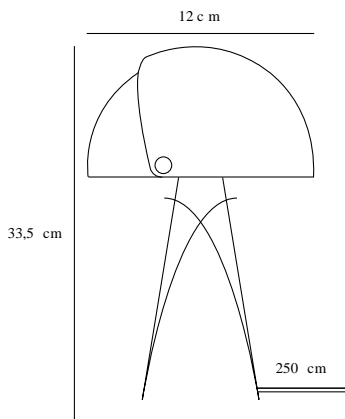


ALIGN | TABLE LIGHTING | ROSE

2120095057



Voltage (V): 230 Volt
IP degree: IP20
Maximum bulb wattage (W): 25W
Class (Class 1, Class 2, Class 3):
Class 2 (Double isolated)
Bulb base: E27
Switch placement: On the cable

Height (cm): 33.5
Shade Diameter (cm): 22
Tilt Angle (°): 340
EAN: 5704924013706
Item Number: 2120095057

Pcs Per Master Carton: 3
Sales Box Height (cm): 34.5
Sales Box Width(cm): 24
Sales Box Depth (cm): 22
Sales Box Volume m³ : 0.0182
Product net weight (kg): 3

Primary material: Metal
Length of the cable (cm): 250
Is the cable replaceable: False
Color: Rose

- Satin soft, matt surface • Beautiful brass details
- Movable shade for a playful look and changeable light

Align is a series of contemporary and elegant table lamps by Danish designer Maria Berntsen that encourage interaction and curiosity. The inner shade of the lamp is static, while the outer shade can easily be moved for a changeable light that fits any need. The design language is simple, yet playful with a satin soft, matt surface and beautiful brushed brass details.