

**LUCCI**  
**AIRFUSION CAROLINA**  
**70 INCH CEILING FAN**

- **INSTALLATION**
- **OPERATION**
- **MAINTENANCE**
- **WARRANTY INFORMATION**

**CAUTION**  
**READ INSTRUCTIONS CAREFULLY FOR SAFE**  
**INSTALLATION AND FAN OPERATION.**

**GB****THANK YOU FOR PURCHASING**

Thank you for purchasing this quality Lucci product. To ensure correct function and safety, please read and follow all instructions carefully before assembly, installation and use of this ceiling fan. Please keep instructions for future reference.

**SAFETY PRECAUTIONS**

The information contained in the following pages has been prepared to ensure you of trouble-free operation of your ceiling fan.

1. In Europe: This appliance can be used by children aged from 8 years and above and persons with reduced physical, sensory or mental capabilities or lack of experience and knowledge if they have been given supervision or instruction concerning use of the appliance in a safe way and understand the hazards involved. Cleaning and maintenance shall not be undertaken by children without supervision.
2. In Australia: This appliance is not intended for use by young children or infirm persons unless they are adequately supervised by a responsible person to ensure that they can use the appliance safely.
3. Children should be supervised to ensure that they do not play with the appliance.
4. An all-pole disconnection switch must be incorporated into the fixed wiring, in accordance with local wiring rules.

**IN AUSTRALIA****WARNING:****FOR SAFE USE OF THIS FAN AN ALL-POLE DISCONNECTION MUST BE INCORPORATED INTO THE FIXED WIRING IN ACCORDANCE WITH THE WIRING RULES.**

As outline in clause 7.12.2 of AS/NZS 60335-1 for meeting the minimum electrical safety of this standard.

Please note warranty will be void if installation is without a means for an all-pole disconnection incorporated in the fixed wiring in accordance with the wiring rules.

Example: If a fan is connected to a circuit that can be isolated via an all-pole safety switch at the switchboard, then this is considered to be an all-pole disconnection to the ceiling fan electrical circuit, meeting the requirements of clause 7.12.2 of AS/NZS 60335.1.



**A single-pole switch on the active of the receiver input of remote control must also be included in the wiring, and located the same room as the ceiling fan.**



5. Do not dispose of electrical appliances as unsorted municipal waste, use separate collection facilities. Contact your local government for information regarding the collection systems available. If electrical appliances are disposed of in landfills or dumps, hazardous substances can leak into the groundwater and get into the food chain, damaging your health and well-being.
6. The structure to which the fan is to be mounted must be capable of supporting a weight of 32kg.
7. The fan should be mounted so that the blades are at least 2.3 m above the floor in Europe or 2.1 m above the floor in Australia.
8. This fan is suitable for indoor and alfresco areas where the fan is fully undercover with a minimum of 2 walls. This fan is not waterproof. When installed in an alfresco area, the ceiling fan must be positioned in a location protected from water, wind, dust and salt. Exposure to these elements will void the warranty. Mounting the fan in a situation where it is subject to water or moisture is dangerous and may increase the risk of damage, injury or electrical shock and will void the warranty.
9. Must be assembled and installed by a licensed electrician.
10. WARNING: If unusual wobbling or oscillating movement is observed, immediately stop using the ceiling fan and contact the manufacturer, its service agent or suitably qualified persons.
11. The replacement of parts of the safety suspension system device shall be performed by the manufacturer, its service agent or suitably qualified persons.
12. The fixing means for attachment to the ceiling such as hooks or other devices shall be fixed with a sufficient strength to withstand 4 times the weight of the ceiling fan; that the mounting of the suspension system shall be performed by the manufacturer, its service agent or suitably qualified persons.



## BEFORE INSTALLATION

- Unpack your ceiling fan carefully. Remove all parts and hardware.
- Lay out all the components on a smooth surface and make sure there are no components missing before assembling. If parts are missing, return the complete product to the place of purchase for inspection or replacement.
- Check whether the ceiling fan has been damaged during transport. Do not operate/install any product which appears damaged in any way. Return the complete product to the place of purchase for inspection, repair or replacement.
- Examine the fan and carefully identify the parts. Please refer to Fig 1.

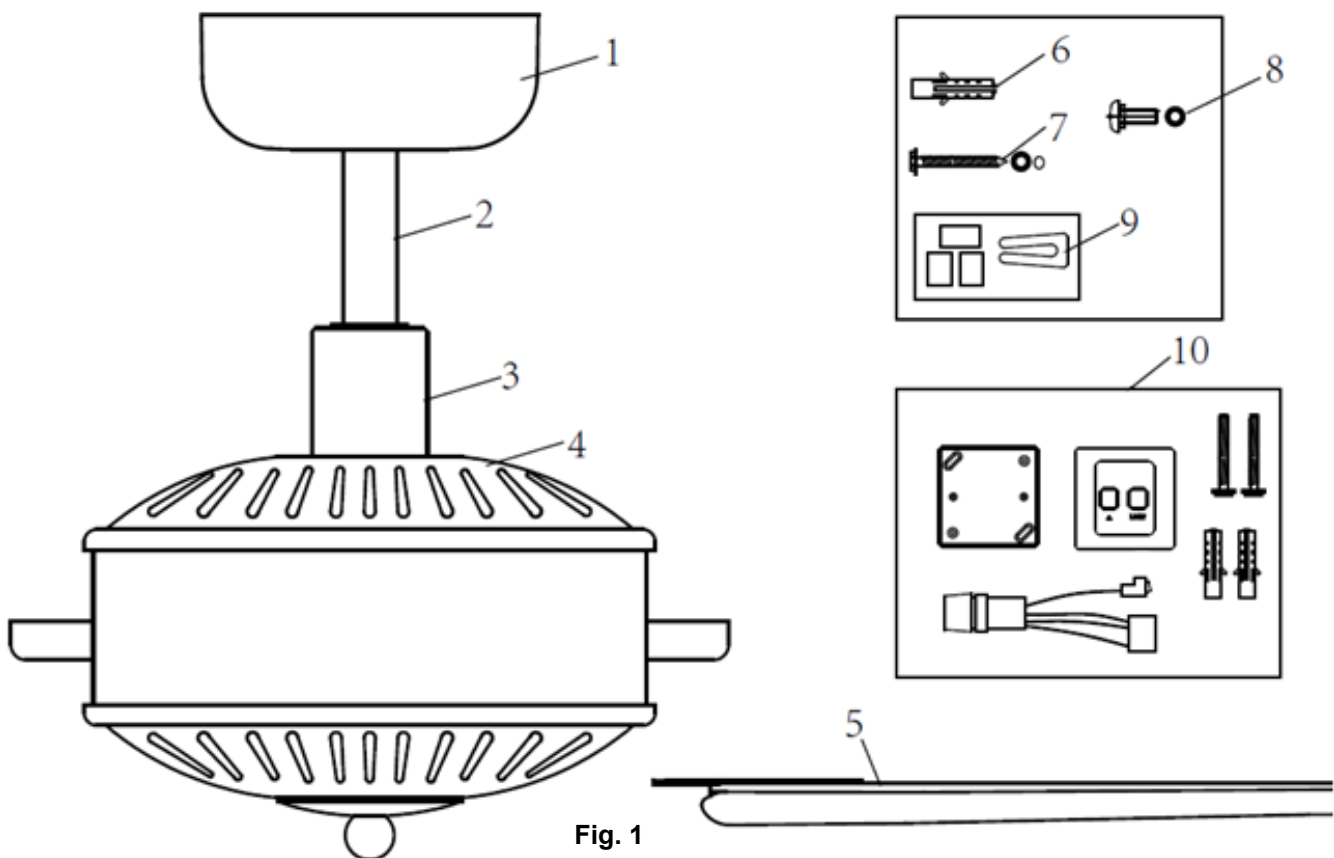


Fig. 1

- 1 Canopy x 1
- 2 Down rod x 1
- 3 Coupling cover x 1
- 4 Motor assembly x 1
- 5 Blades assembly x 3
- 6 Plastic anchors x 2
- 7 Wood screws x 2
- 8 Blade screw x 9 (and 1 spare)
- 9 Balance kit x 1 set
- 10 Wall switch with mounting screws x 1 set



## INSTALLING THE MOUNTING BRACKET

- The ceiling fan must be installed in a location so that the blades are a minimum 300mm spacing from the tip of the blade to the nearest objects or walls.
- Install the hanging bracket to the ceiling joist or structure that is capable of carrying a load of at least 32kg, with the two long screws provided. Ensure at least 30mm of the screw is threaded into the support. (Fig. 2)

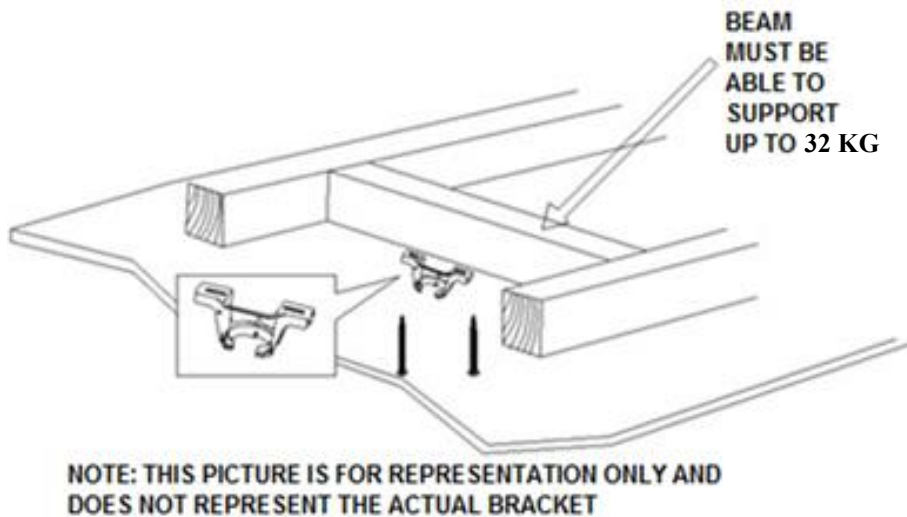


Fig. 2

**NOTE:** The bracket screws provided are for use with wooden structures only. For structures other than wood, the appropriate screw type **MUST** be used. Ensure the screws used are suitable for the mounting surface and the surrounding environment.

### ANGLED CEILING INSTALLATION

This fan hanging system supports a maximum 9 degree angled ceiling installation.

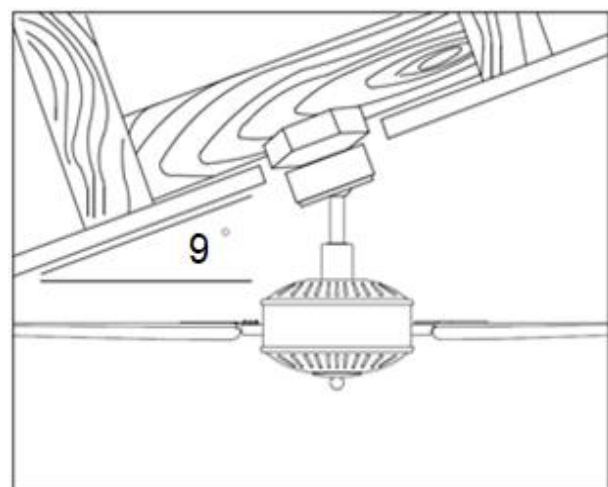


Fig. 3



This fan is suitable for indoor and alfresco areas where the fan is fully undercover with a minimum of 2 walls. This fan is not waterproof. When installed in an alfresco area, the ceiling fan must be positioned in a location protected from water, wind, dust and salt. Exposure to these elements will void the warranty. Mounting the fan in a situation where it is subject to water or moisture is dangerous.

## BLADE INSTALLATION

- Align the 3 mounting holes on the blade assembly (3) to the 3 mounting holes on the rotating member of fan motor assembly (1) and using the 3 blade screws with washers (2) to secure the blade assembly (3) to the fan motor assembly,
- Ensure the screws are tightened equally and evenly to reduce the chance of warping or unbalancing. Take care not to over tighten the screws as this can damage the blades.
- Once completed, repeat the process on the remaining blades.

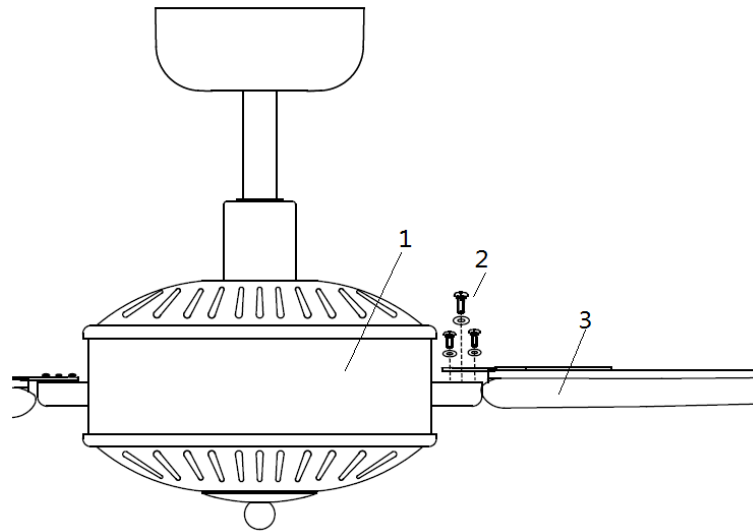


Fig. 4

## HANGING THE FAN

Lift the fan assembly onto the mounting bracket. Ensure the key slot (A) of the hanger ball is positioned on the key pin (B) of the mounting bracket (C) to prevent the fan from rotating when in operation. (Fig.5)

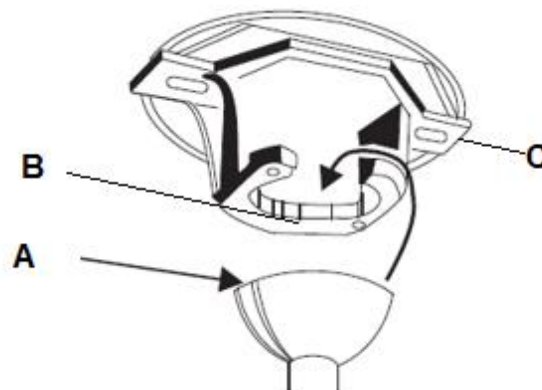


Fig. 5



**ELECTRICAL WIRING THE FAN**

**WARNING:** FOR YOUR SAFETY ALL ELECTRICAL CONNECTIONS MUST BE UNDERTAKEN BY A LICENSED ELECTRICIAN.

**NOTE:** AN ADDITIONAL ALL POLE DISCONNECTION SWITCH MUST BE INCLUDED IN THE FIXED WIRING.

**NOTE:** Wiring diagram includes the light kit wiring. The light wiring diagram and switch is omitted when no light kit is used with the ceiling fan.

**USE WITH WALL SWITCH WIRING DIAGRAM:**

Follow the wiring diagram in Fig. 6 to wire the mains power to the wall controller and the fan terminal block on the mounting bracket.

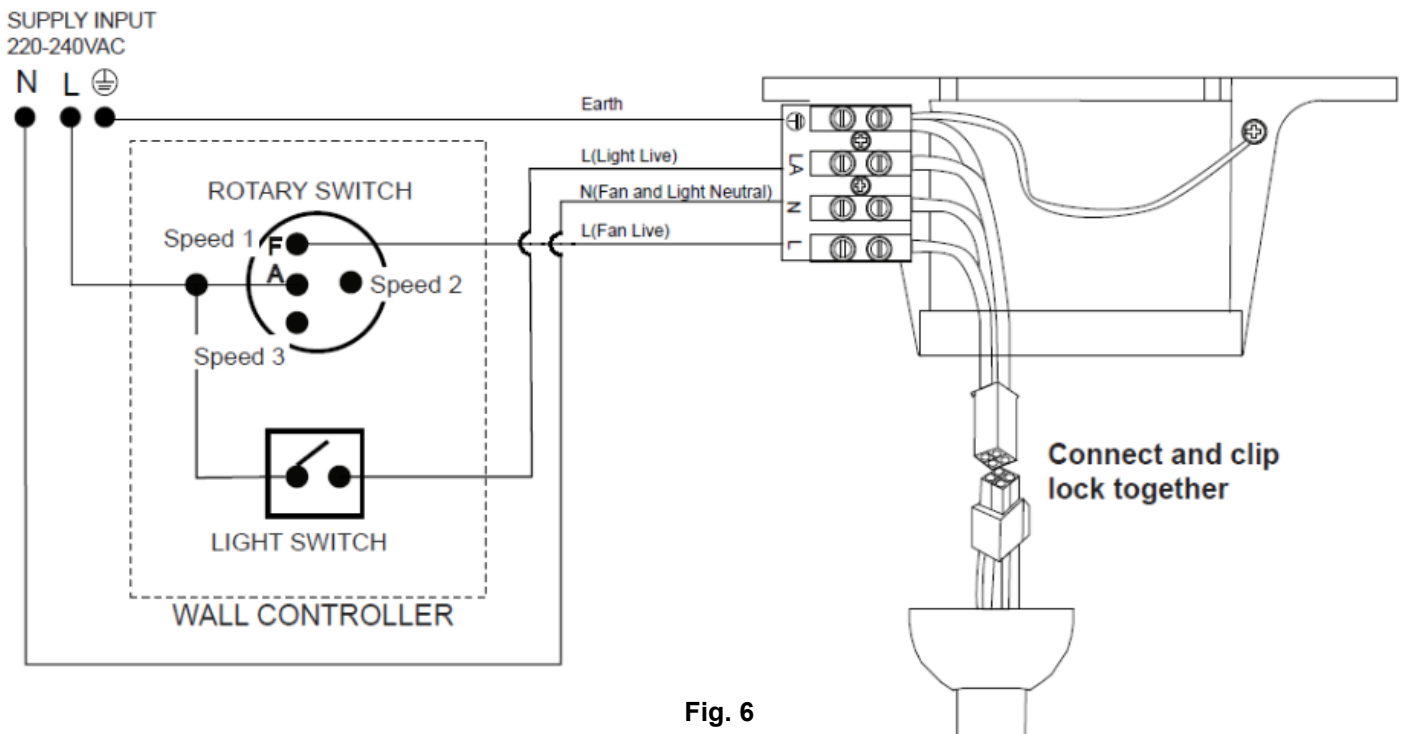



Fig. 6



This fan is suitable for indoor and alfresco areas where the fan is fully undercover with a minimum of 2 walls. This fan is not waterproof. When installed in an alfresco area, the ceiling fan must be positioned in a location protected from water, wind, dust and salt. Exposure to these elements will void the warranty. Mounting the fan in a situation where it is subject to water or moisture is dangerous.

**USE WITH REMOTE WIRING DIAGRAM: (REMOTE sold separately)**

**1/ Remote without plugs**

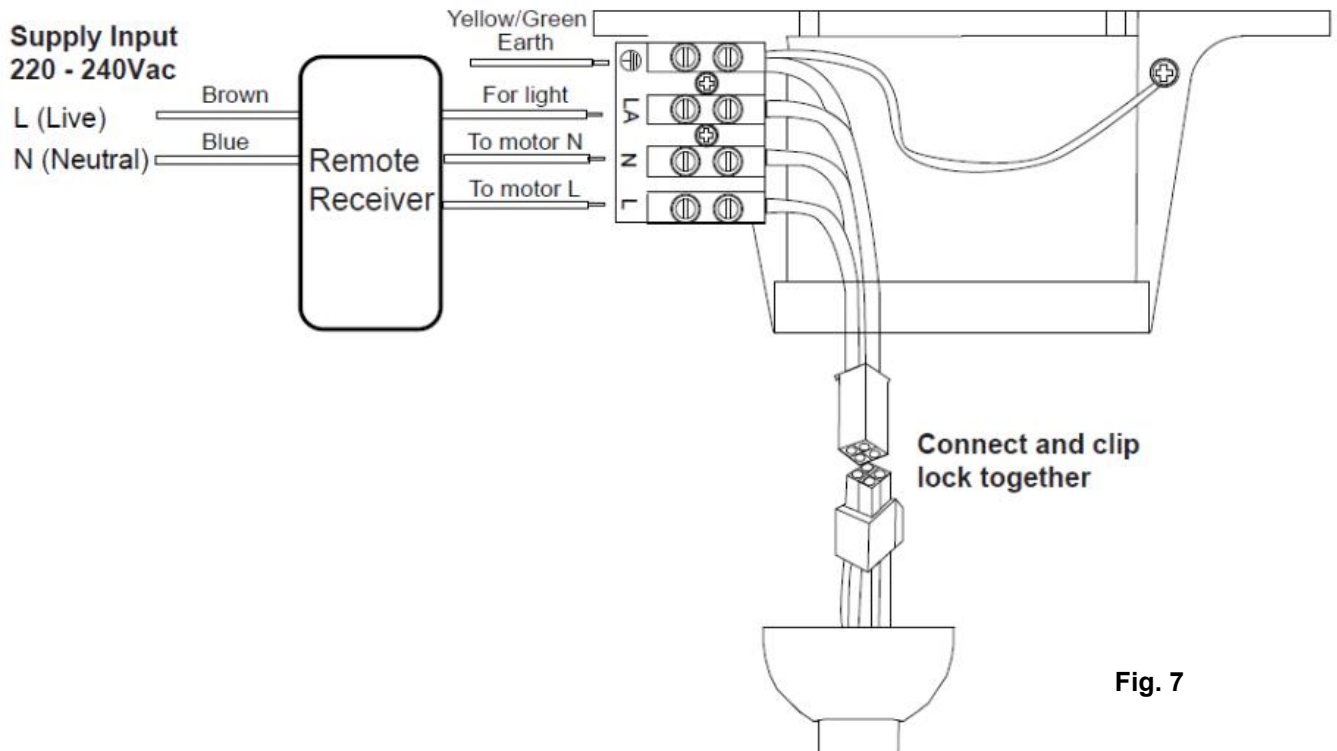


Fig. 7

**2/ Remote with plugs**

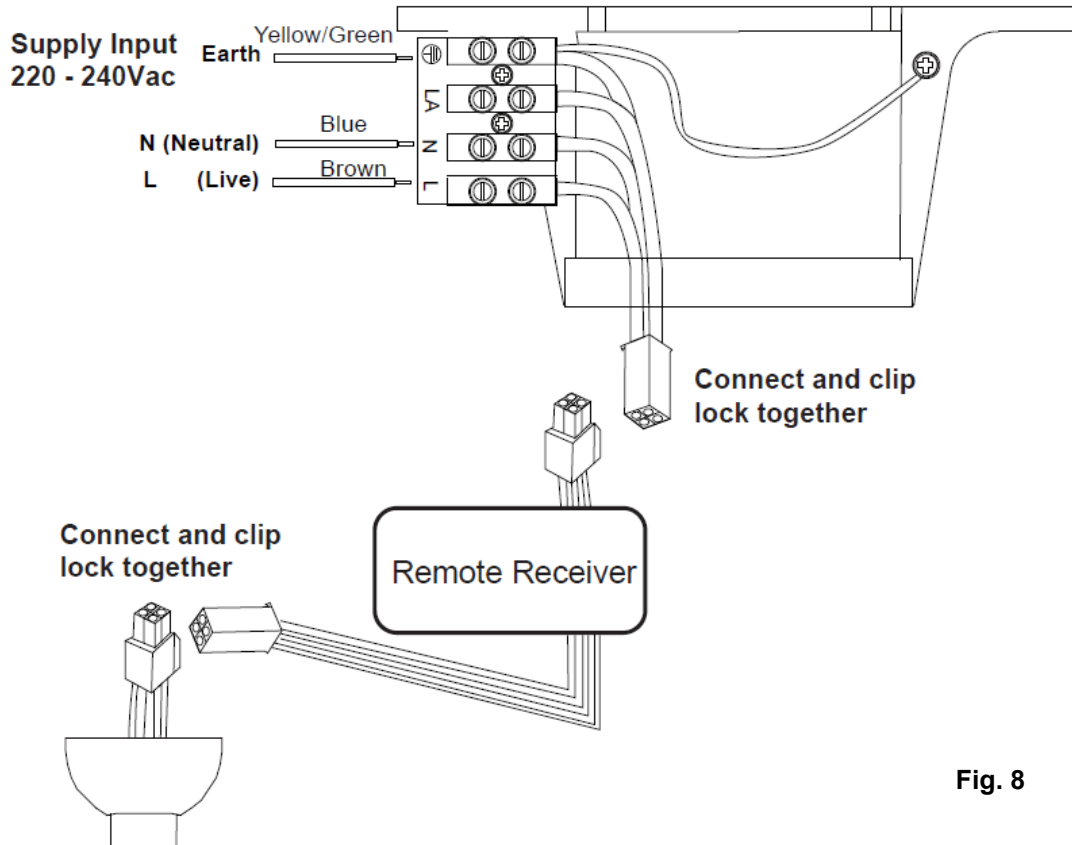


Fig. 8



## FINISHING THE INSTALLATION

- After completing the electrical connection at the mounting bracket terminal block, connect the ceiling fan wiring via the quick connector plug.
- Ensure the earth wiring is secure and correct, by performing an earthing continuity test from the fan's accessible metal body back to the earth terminal at the terminal block on the mounting bracket.
- Cover the mounting bracket with the canopy. Ensure all electrical wiring is tucked inside the canopy and that the wires are not damaged during this step. Secure the canopy to the hanger bracket using the screws provided. (Fig. 9)
- Switch ON mains power supply to the fan. Test the fan operations or enjoy using the fan following instructions the under "USING YOUR CEILING FAN" section of this instruction manual.

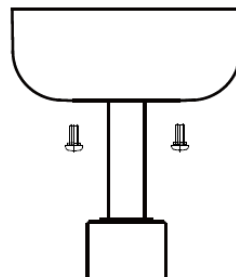


Fig. 9

## USING YOUR CEILING FAN

### FAN WALL CONTROL

Turn on the power and check the operation of the fan.

- OFF Position – fan off
- 3rd Position – low fan speed
- 2nd Position – medium fan speed
- 1st Position – high fan speed

### LIGHT CONTROL

- Toggle Switch – on/off

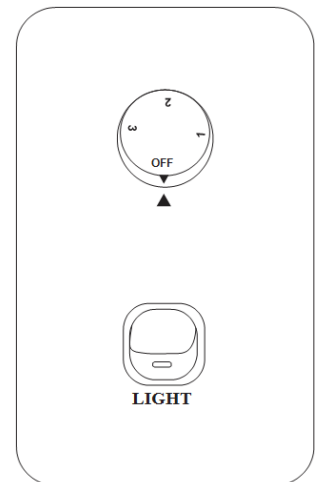


Fig. 10



## **REVERSE FUNCTION**

Your ceiling fan can operate either in fan mode or reverse fan mode.

**SUMMER** Mode: The reverse switch shall be in the SUMMER position to make the fan rotate in the anticlockwise direction. The airflow will be directed downwards, for cooling in summer.

**WINTER** Mode: The reverse switch shall be in the WINTER position to make the fan rotate in clockwise direction. The airflow will be directed upwards assisting in the circulation of warm air, for energy conservation in winter.

The reverse switch is located in the top of the motor housing. Slide the switch to the LEFT for summer weather operation. Slide the switch to the RIGHT for winter weather operation.

**Note:** You need a small tool to adjust the reverse switch in the top housing.

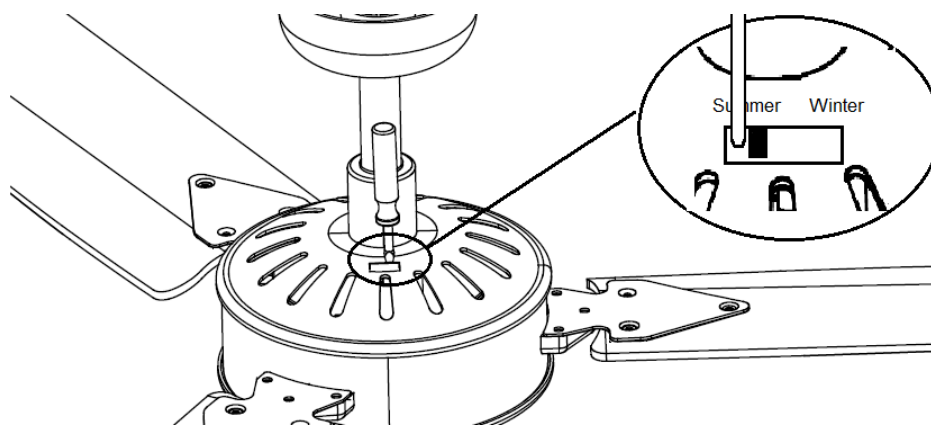


Fig. 11

## **AFTER INSTALLATION**

### **WOBBLE:**

NOTE: CEILING FANS TEND TO MOVE DURING OPERATION DUE TO THE FACT THAT THEY ARE MOUNTED ON A RUBBER GROMMET. IF THE FAN WAS MOUNTED RIGIDLY TO THE CEILING IT WOULD CAUSE EXCESSIVE VIBRATION. MOVEMENT OF A FEW CENTIMETRES IS QUITE ACCEPTABLE AND DOES NOT SUGGEST ANY PROBLEM.

**TO REDUCE THE FAN WOBBLE:** PLEASE CHECK THAT ALL SCREWS WHICH FIX THE MOUNTING BRACKET AND DOWN ROD ARE SECURE.

NOTE: This fan has been precision balanced at the factory and will not need to be balanced again.

### **NOISE:**

When it is quiet (especially at night) you may hear occasional small noises. Slight power fluctuations and frequency signals superimposed in the electricity for off-peak hot water control, may cause a change in fan motor noise. This is normal. Please allow a 24-hour “breaking-in” period, most noises associated with a new fan disappear during this time.

The manufacturer’s warranty covers actual faults that may develop and NOT minor complaints such as hearing the motor run – All electric motors are audible to some extent.

**CARE & CLEANING**

**NOTE: Always turn OFF the power at the mains switch before performing any maintenance or attempting to clean your fan.**

- Every 6 months periodic cleaning of your ceiling fan is the only maintenance required. Use a soft brush or lint free cloth to avoid scratching the paint finish. Please turn off electricity power when you do so.
- Do not soak or immerse your ceiling fan in the water or other liquids. It could damage the motor or the blades and create the possibility of an electrical shock.
- Ensure that the fan does not come in contact with any organic solvents or cleaners.
- To clean the fan blade, wipe with only a damp clean cloth with NO organic solvents or cleaners.
- The motor has a permanently lubricated ball bearing so there is no need to oil.

**TECHNICAL INFORMATION**

Fan	70" fan – Carolina
Fan Models	70" AC series / SKU# 211020, 211021, 211022
Rated Voltage	220-240V~ 50Hz
Rated Wattage (Motor)	85W
Rated wattage (Lamp)	N/A
Weight	7.7kg
Canopy Dimensions	H:52mm Dia:131mm


**WARRANTY INFORMATION**

**IN AUSTRALIA / NEW ZEALAND** – Please refer to the separated WARRANTY STATEMENT.  
**IN EUROPE** – If you are a European customer please contact the retail outlet where the fan was purchased for warranty service.

**Distributed by:**

**Beacon Lighting Europe GmbH**  
**Campus Fichtenhain 42**  
**47807 Frefeld**  
**Germany**

**Beacon International Ltd.**  
**Suite 1, 66/Floor, The Center**  
**99 Queens Road, Central**  
**Hong Kong**



This fan is suitable for indoor and alfresco areas where the fan is fully undercover with a minimum of 2 walls. This fan is not waterproof. When installed in an alfresco area, the ceiling fan must be positioned in a location protected from water, wind, dust and salt. Exposure to these elements will void the warranty. Mounting the fan in a situation where it is subject to water or moisture is dangerous.