



**LUCCI
AIRFUSION RESORT
DC CEILING FAN**

- **INSTALLATION**
- **OPERATION**
- **MAINTENANCE**
- **WARRANTY INFORMATION**

CAUTION
READ INSTRUCTIONS CAREFULLY FOR SAFE
INSTALLATION AND FAN OPERATION.

CONGRATULATIONS ON YOUR PURCHASE

Congratulations on purchasing the latest in energy saving ceiling fans. This fan runs on DC (direct current) power which gives it the benefit of being super energy efficient whilst still maintaining high volume air-movement and silent operation.

Energy Saving - The DC motor is the latest technology in fan design. Its highly efficient motor saves up to 65% more energy than ceiling fans with traditional AC motors.

Silent operation – This DC fan motor is programmed with a stabilised current which efficiently reduces motor noise.

Low operating temperature – The DC power is managed effectively which brings down the motor operating temperature to less than 50°C. This results in a much cooler motor than a standard AC fan and increases the longevity of the motor.

6 speed remote control - Regular AC ceiling fans usually come with only 3 speeds, this DC fan comes complete with a 6 speed remote, which gives greater choice of comfort levels.

SAFETY PRECAUTIONS

1. In Europe: This appliance can be used by children aged from 8 years and above and persons with reduced physical, sensory or mental capabilities or lack of experience and knowledge if they have been given supervision or instruction concerning the use of the appliance in a safe way and understand the hazards involved. Cleaning and maintenance shall not be undertaken by children without supervision.
2. In Australia: The appliance is not intended for use by persons (including children) with reduced physical, sensory or mental capabilities, or lack of experience and knowledge, unless they have been given supervision or instruction concerning the use of the appliance by a person responsible for their safety.
3. Children should be supervised to ensure that they do not play with the appliance.
4. An all-pole disconnection switch must be incorporated into the fixed wiring, in accordance with local wiring rules.

IN AUSTRALIA

WARNING:

FOR SAFE USE OF THIS FAN AN ALL-POLE DISCONNECTION MUST BE INCORPORATED INTO THE FIXED WIRING IN ACCORDANCE WITH THE WIRING RULES.

As outline in clause 7.12.2 of AS/NZS 60335-1 for meeting the minimum electrical safety of this standard.

Please note warranty will be void if installation is without a means for an all-pole disconnection incorporated in the fixed wiring in accordance with



the wiring rules.

Example: If a fan is connected to a circuit that can be isolated via an all-pole safety switch at the switchboard, then this is considered to be an all-pole disconnection to the ceiling fan electrical circuit, meeting the requirements of clause 7.12.2 of AS/NZS 60335.1.

A single-pole switch also must be placed in the same room as the fan as per local wiring regulations AS3000



5. Do not dispose of electrical appliances as unsorted municipal waste, use separate collection facilities. Contact your local government for information regarding the collection systems available. If electrical appliances are disposed of in landfills or dumps, hazardous substances can leak into the groundwater and get into the food chain, damaging your health and well-being.
6. The structure to which the fan is to be mounted must be capable of supporting a weight of 30kg.
7. The fan should be mounted so that the blades are at least 2.3 m above the floor in Europe or 2.1 m above the floor in Australia.
8. This fan is suitable for indoor and outdoor areas provided the fan is fully undercover with a minimum of 2 walls. The ceiling fan must be positioned in a location protected from water, wind, dust and salt. Exposure to these elements will void the warranty. Mounting the fan in a situation where it is subject to water or moisture is dangerous.
9. Only a licensed electrician should execute the installation.



PARTS LIST

Unpack your fan and check contents. You should have the following:

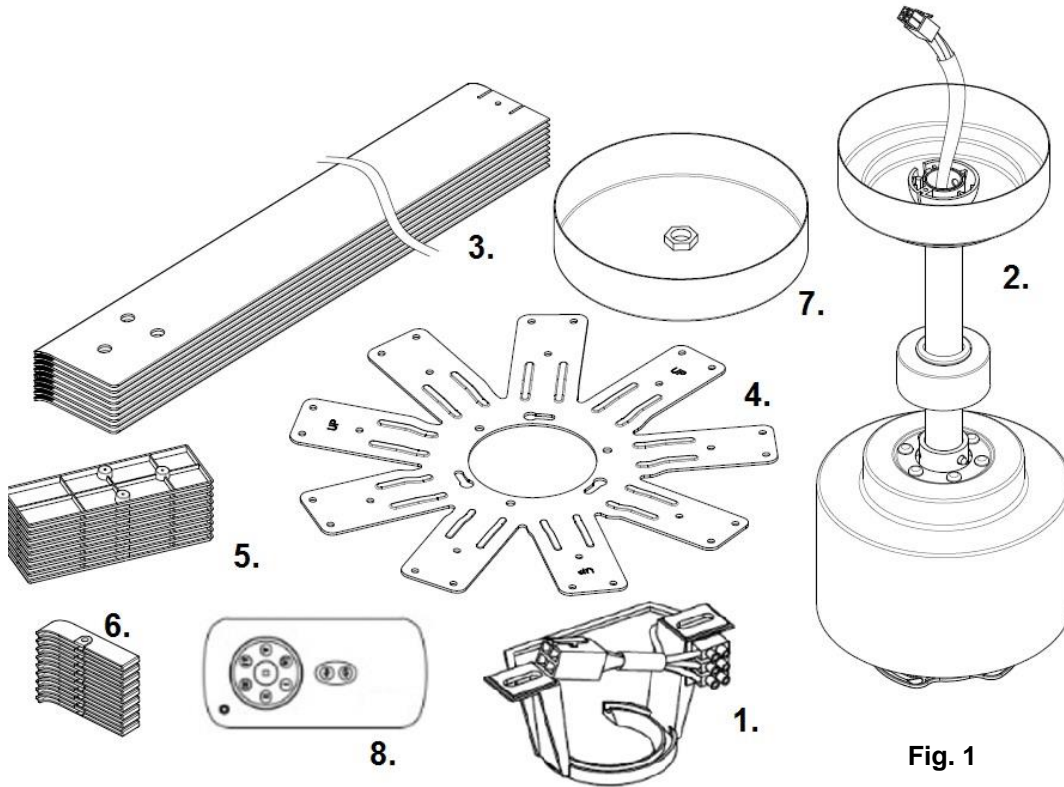


Fig. 1

- | | | | |
|---|---|----|---|
| 1 | Mounting bracket x 1 | 9 | Extra motor screws x 1 (not shown) |
| 2 | Fan assembly with hanger cover, down rod, canopy cover and canopy x 1 | 10 | Blade screws x 28 (not shown) |
| 3 | Blades x 9 | 11 | Blade bracket kit screws x 10 (not shown) |
| 4 | Blade holder x 1 | 12 | Wooden screws x 2 (not Shown) |
| 5 | Blade bracket kit x 9 | 13 | Balancing kits x 1 set (not shown) |
| 6 | Blade decorative kit x 9 | 14 | Screws for remote holder x 2 (not shown) |
| 7 | Bottom cover x 1 | 15 | 12V Battery for remote x 1 (not shown) |
| 8 | Remote transmitter with holder x 1 set | | |



INSTALLING THE FAN

TOOLS REQUIRED:

- Phillips / flat head screwdriver
- Pair of pliers
- Adjustable spanner
- Step ladder
- Wire cutter
- Wiring, supply cable as required by local provincial and national wiring codes and regulations.

INSTALLING THE MOUNTING BRACKET

The ceiling fan must be installed in a location so that the blades are 300mm spacing from the tip of the blade to the nearest objects or walls.

Secure the hanging bracket to the ceiling joist or structure that is capable of carrying a load of at least 40kg, with two long screws provided. Ensure at least 30mm of the screw is threaded into the support.

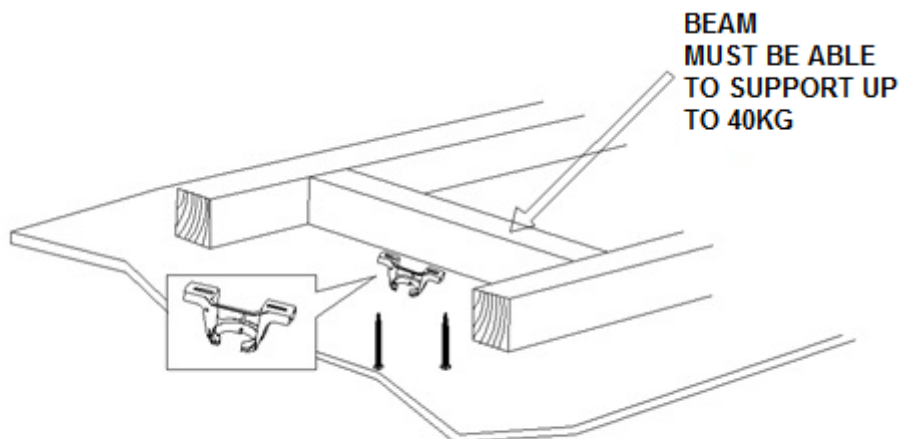


Fig. 2

NOTE: THIS PICTURE IS FOR REPRESENTATION ONLY AND DOES NOT REPRESENT THE ACTUAL BRACKET.

NOTE: The bracket screws provided are for use with wooden structures only. For structures other than wood, the appropriate screw type MUST be used.

ANGLED CEILING INSTALLATION

This fan hanging system supports a maximum 20 degree angled ceiling installation.

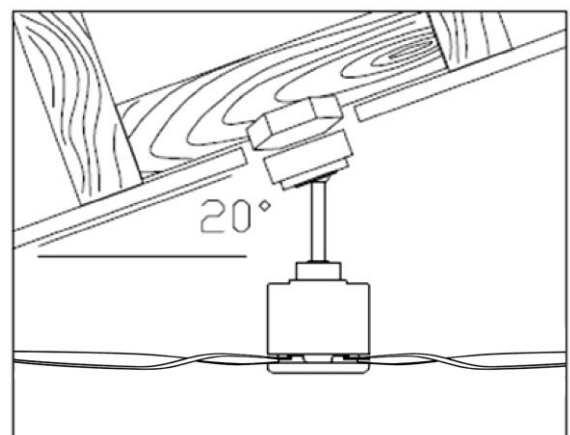


Fig. 3



HANGING THE FAN MOTOR ASSEMBLY

- Lift the fan assembly onto mounting bracket. Fig. 4
- Ensure the notch of the ball joint (1) is positioned on the stopper of the mounting bracket (2) to prevent the fan from rotating when in operation. Fig. 5
- Complete the electrical wiring using the diagram below (Figure. 6).

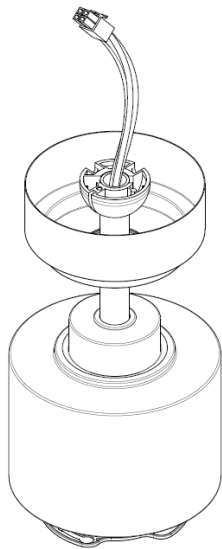


Fig. 4

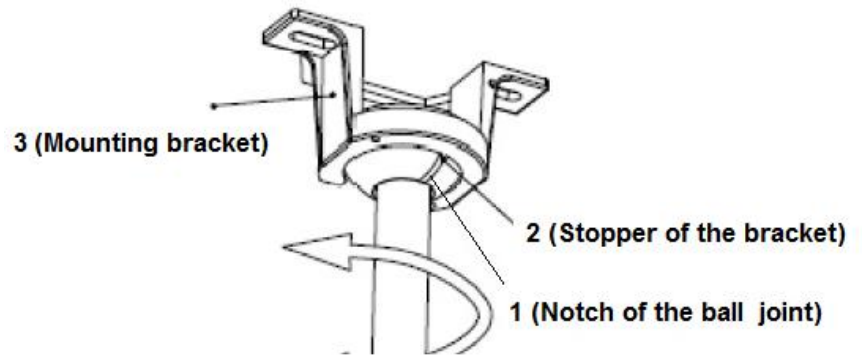


Fig. 5

PREPARE AND COMPLETE THE ELECTRICAL WIRING --- WIRING DIAGRAM (FIG. 6)

WARNING: FOR YOUR SAFETY ALL ELECTRICAL CONNECTIONS MUST BE UNDERTAKEN BY A LICENSED ELECTRICIAN.

NOTE: AN ADDITIONAL ALL POLE DISCONNECTION SWITCH MUST BE INCLUDED IN THE FIXED WIRING.

NOTE: IF THERE ARE TWO OR MORE DC CEILING FANS INSTALLED IN THE ONE LOCATION, AN SINGLE-POLE SWITCH IS REQUIRED FOR EACH CEILING FAN. THIS IS REQUIRED WHEN PROGRAMMING THE REMOTE AND RECEIVER TO PAIR TOGETHER.

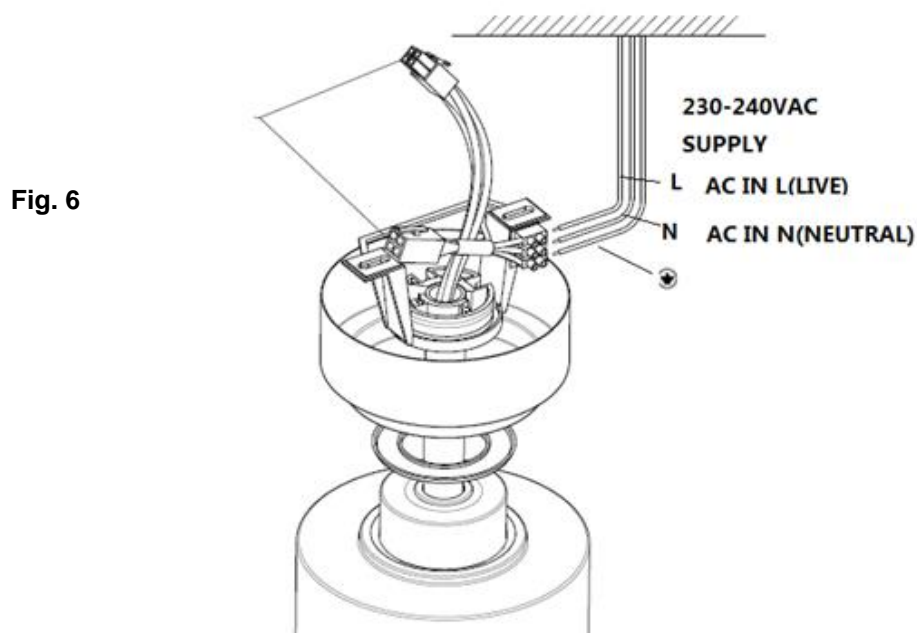


Fig. 6



INSTALL THE CANOPY COVER

- Loosen 2 screws (1) from the bottom of the mounting bracket. Fig. 7
- Slide the canopy up to the mounting bracket and place the key hole on the canopy (2) over the screw on the mounting bracket. Turn the canopy until it locks in place at the narrow section of the key holes and secure it by tightening the two set screws. Avoid damaging the electrical wiring prepared previously.
- Finally attach the canopy cover (3) to canopy and secure it by pushing the lugs into the holes (4).

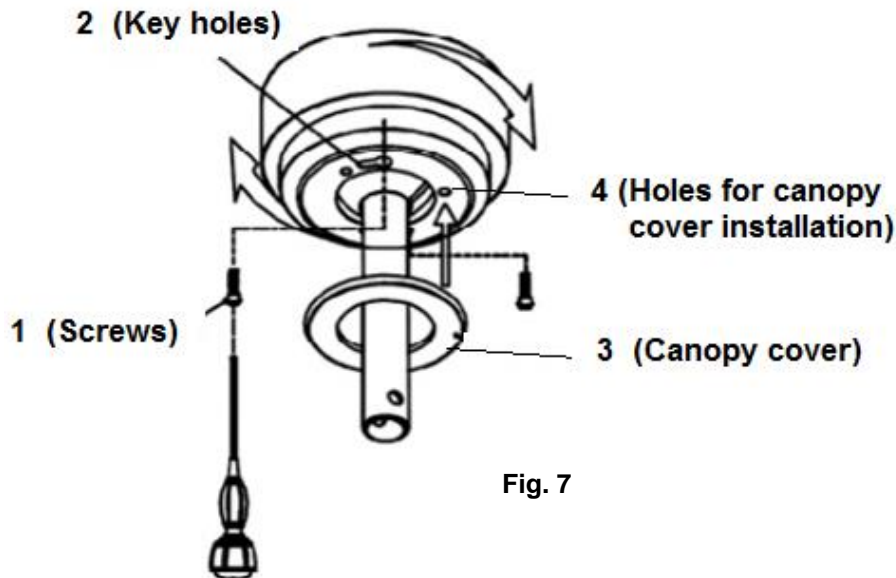


Fig. 7

BLADE INSTALLATION

- Attach the blade holder to the motor by lining up the position label (1) Fig. 8 and secure it by tightening 6 screws Fig. 9
- Insert the blade screws through the blade assembly in the following order - blade holder, blade and blade bracket kit. Then secure the blade to the blade holder by tightening the 3 screws. Fig. 10
- Repeat to install the other blades to the blade holder.
- Push the blade decorative kit into the end of the blade and secure it by tightening the screw.
- Finally install the bottom cover to the shaft of the motor by rotating it clockwise. Fig.11

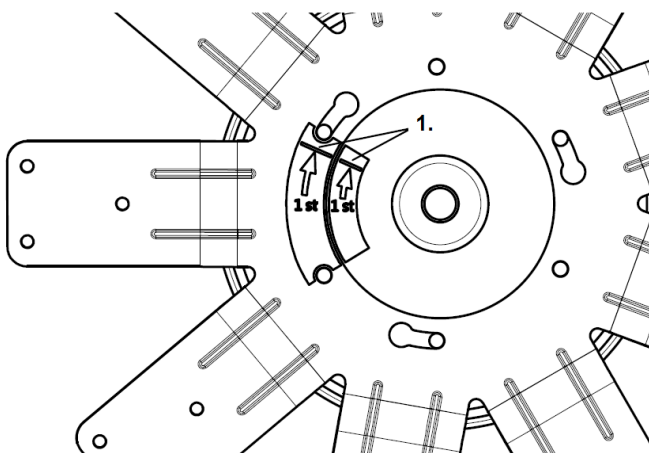


Fig. 8

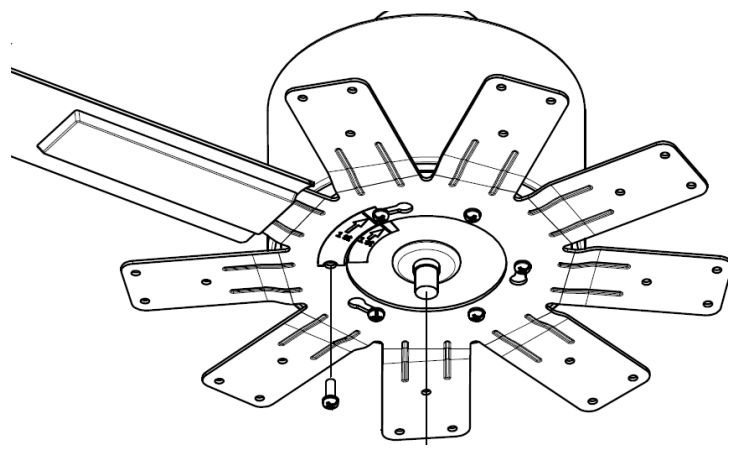


Fig. 9



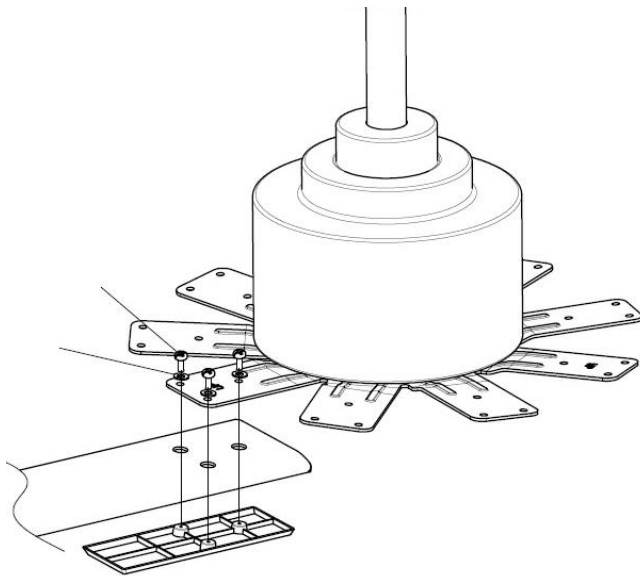


Fig. 10

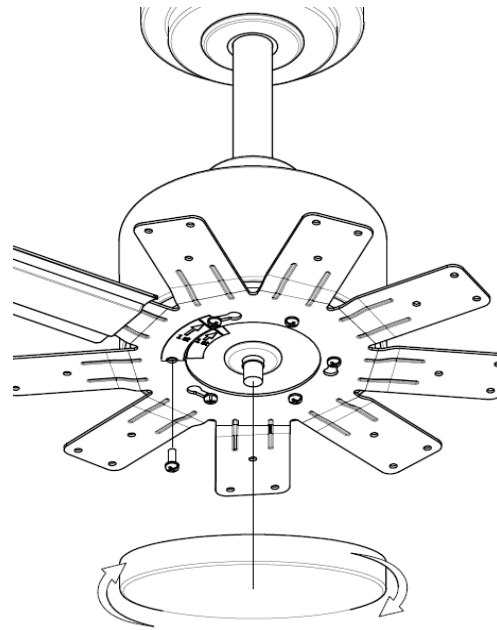


Fig. 11

USING YOUR CEILING FAN

Pairing Transmitter and Receiver – when 2 or more DC ceiling fans are installed in one location

When two or more ceiling fans are located near each other, you may desire to have the receiver/transmitter for each fan set to a different code so that the operation of one fan does not affect the operation of the other fan/s.

The DIP switches for the transmitter (remote hand piece) are located in the battery compartment of the transmitter. Configuring the DIP switches will allow a unique transmission code assigned to each ceiling fan.

NOTE: Ensure that you have installed a single pole disconnection switch in the fixed wiring for each fan, when using DIP code function.

NOTE: Ensure power to the Receiver is **ON** prior to pairing the transmitter with the receiver.

Transmitter/Receiver pairing for ceiling fan 1:

- Turn off the mains supply to the receives of both ceiling fans 1 and 2.
- Slide the cover of the battery compartment of the transmitter to access the DIP switches. This will be transmitter 1.
- Change the position of the DIP switches in the remote transmitter 1, so that it will be different to transmitter 2. Fig. 12.
- Install the 12V DC battery in the compartment. Please make sure the polarity of the battery is correct.
- Turn on the power to receiver 1. Keep the power OFF to receiver 2. (Each ceiling fan must have its own isolation switch, so that only the ceiling fan that needs to be paired with the transmitter will be ON).
- Press and hold the SET button of **transmitter 1** for 8-10 seconds within 60 seconds of switching the power to the receiver of ceiling fan 1.

If the fan has light kit attached, the light will flash on and off to indicate the paring process activated.



This fan is suitable for indoor and outdoor areas provided the fan is fully undercover with a minimum of 2 walls. The ceiling fan must be positioned in a location protected from water, wind, dust and salt. Exposure to these elements will void the warranty.

The fan operates at highest speed in REVERSE mode automatically for approximately 2 minutes and then operates in FORWARD mode for approximately 2 minutes. During the pairing process, **DO NOT TOUCH THE REMOTE FOR 4-5 MINUTES.**

- Now the transmitter should be paired with the receiver of ceiling fan 1. Turn ON/OFF or change the speed of ceiling fan 1 by the transmitter to check the operation.

Setting DC Ceiling fan 2:

- Turn off the mains supply to the receivers of both ceiling fans 1 and 2.
- Slide the cover of the battery compartment of the transmitter to access the DIP switches. This will be transmitter 2.
- Change the position of the DIP switches in the remote transmitter 2, so that it will be different to transmitter 1. Fig. 12.
- Install the 12V DC battery in the compartment. Please make sure the polarity of the battery is correct.
- Turn on the power to receiver 2. Keep the power OFF to receiver 1. (Each ceiling fan must have its own isolation switch, so that only the ceiling fan that needs to be paired with the transmitter will be ON).
- Press and hold the SET button of **transmitter 2** for 8-10 seconds within 60 seconds of switching the power to the receiver of ceiling fan 2.

If the fan has light kit attached, the light will flash on and off to indicate the pairing process activated.

The fan operates at highest speed in REVERSE mode automatically for approximately 2 minutes and then operates in FORWARD mode for approximately 2 minutes. During the pairing process, **DO NOT TOUCH THE REMOTE FOR 4-5 MINUTES.**

- Now the transmitter should be paired with the receiver of ceiling fan 2. Turn ON/OFF or change the speed of the ceiling fan 2 by the transmitter to check operation.

Note: The pairing of Transmitter and Receiver is not required if only one ceiling fan is installed. When more than two ceiling fans are installed near each other, please refer to the instruction above.

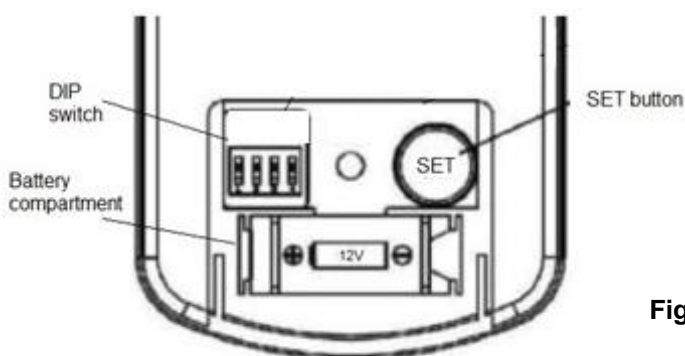
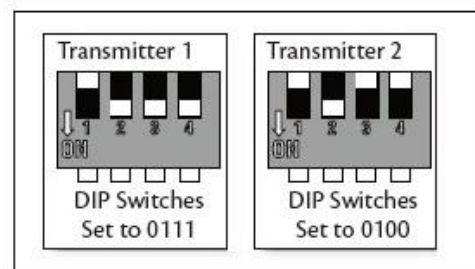


Fig. 12



Remote Control Buttons

○,1- FAN SPEED CONTROL BUTTON:

There are 6 available speeds. ○,I button is for the lowest speed, and ○,VI button is for the fastest speed.

NOTE: when you turn on the fan for the first time or switch the main power to the controller, you need to start the fan on high “○,VI” speed first and then choose a lower speed. A 5-10 seconds is required to allow the DC fan to respond to the remote each speed or fan direction selections, as DC fans incorporate a sensor control which controls the power to the motor.

○,2- FAN OFF BUTTON:

Press the button to turn the fan off.

○,3- REVERSE FUNCTION BUTTON:

Press the button to activate the reverse running function. The fan must be operating to activate the reverse function.

○,4- LIGHT CONTROL BUTTON: **(Not valid for this fan)**

Press the button to turn on/off the light.

THE RECEIVER PROVIDES THE FOLLOWING LEVEL OF PROTECTION:

- Lock position: the receiver has a built in safety feature to protect against obstruction during operation. The motor will be locked from operation and will disconnect from power after 30 seconds of interruption. Please remove obstacles before re-starting. To reset, simply turn off the power supply to the fan motor and re-start.
- Over 80W protection: when the receiver detects power consumption which is greater than 80W, the receiver power will be stopped and operation will immediately discontinue. Turn the receiver power on after 5 seconds to restart the fan.

REPAIRING THE FAN RECEIVER & REMOTE PAIRING

Should the remote and receiver lose control after installation or during use, the pairing of the remote and the receiver must be repaired. Below are the operating symptoms and method to repair the pairing of the DC ceiling fan remote and receiver.

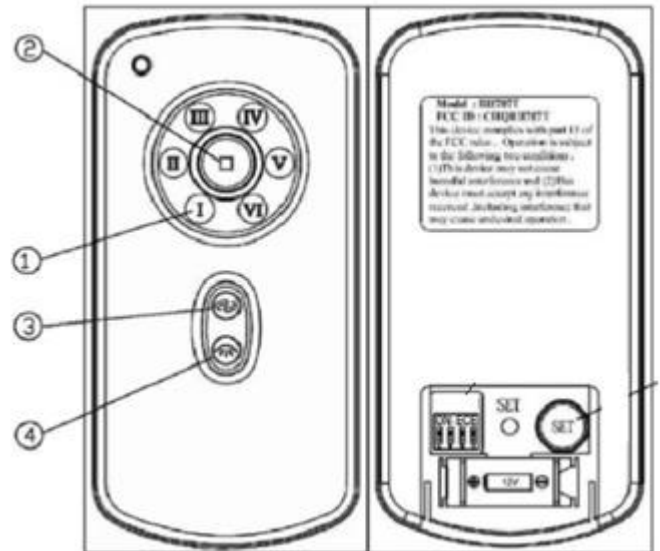
Issues:

- Loss of control - Fan is only running at high speed after installation
- Loss of control - No reverse function after installation
- Loss of control - Remote cannot communicate with receiver

Solution:

If the fan runs at the highest speed continuously, it means the wiring of the installation is correct. When the fan operates on high speed only or fails to operate in reverse function or any other command/s, it is recommended to repair the

Fig. 13



Airfusion Resort Installation Instructions

communication pairing of the remote and receiver. Please follow the steps below:

- A. Remove the battery cover of the remote, check the 434 MHz sticker area, make sure the battery is installed correctly and the red LED light indicator will be flashing, it means the remote function is okay.

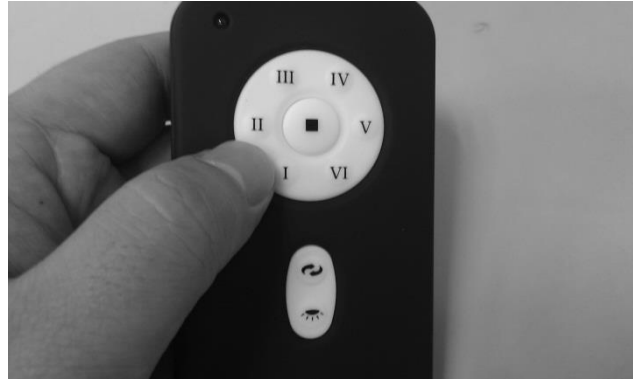


- B. Turn off the main supply to receiver more than 30 seconds and turn on the main supply to receiver again. Press and hold the SET button of remote for 8-10 seconds within 60 seconds of turning the power to the receiver. **The fan operates at highest speed in REVERSE mode automatically for approximately 2 minutes and then operates in FORWARD mode for approximately 2 minutes. During the pairing process, DO NOT TOUCH THE REMOTE FOR 4-5 MINUTES.**



- C. Press the buttons on the remote to run the fan. In general, performing point A, B, and C should repair the remote and receiver, and will allow full control of the fan. If not, please do the next step.





- D. Re-configure the factory default DIP switches setting in the remote so that the receiver and remote (transmitter) communication is on a different channel. The four DIP switches can be set in any (up or down) resting position with an aid of a pen tip or small screw driver as shown below.



- E. Please repeat the (A)-(C) steps to check the function.
 F. If the issues still persist after following point (A) to (D) and there is still no control, then please contact the local retailer for a new remote or transmitter.

NOTE: For your safety, a new receiver must be installed by a licensed electrician.

NOTE: While repairing the DC ceiling fan remote and receiver is in progress, the fan automatically operates at highest speed in REVERSE mode for approximately 2 minutes and then operates in FORWARD mode for another 2 minutes. During the paring process, do not press any button on the remote.

AFTER INSTALLATION

WOBBLE:

NOTE: ceiling fans tend to move during operation due to the fact that they are mounted on a rubber grommet. If the fan was mounted rigidly to the ceiling it would cause excessive vibration. Movement of a few centimeters is quite acceptable and DOES NOT suggest any problem.

TO REDUCE THE FAN WOBBLE:

Please check that all screws which fix the mounting bracket and down rod are secure.

NOTE: This fan has been precision balanced at the factory and will not need to be balanced again.

NOISE:



Airfusion Resort Installation Instructions

When it is quiet (especially at night) you may hear occasional small noises. Slight power fluctuations and frequency signals superimposed in the electricity for off-peak hot water control, may cause a change in fan motor noise. This is normal. Please allow a 24-hour “breaking-in” period, most noises associated with a new fan disappear during this time. Please note that this is not a product fault, and as such is not covered under warranty. All electric motors are audible to some extent.

CARE AND CLEANING:

- Periodic cleaning of your ceiling fan is the only maintenance required. Use a soft brush or lint free cloth to avoid scratching the paint finish. Please turn off electricity power when you do so.
- Do not use water when cleaning your ceiling fan. It could damage the motor or the blades and create the possibility of an electrical shock.
- The motor has a permanently lubricated ball bearing so there is no need to oil.

NOTE: Always turn OFF the power at the mains switch before attempting to clean your fan.

TECHNICAL INFORMATION

FAN models	Rated Voltage	Rated power (motor)	Battery for remote
RESORT 80" FAN	220-240VAC	35W	1 x 12V 23AE

WARRANTY INFORMATION

IN AUSTRALIA / NEW ZEALAND – Please refer to the separated WARRANTY STATEMENT.

IN EUROPE – If you are a European customer please contact the retail outlet where the fan was purchased for a warranty service.

WARRANTY CONDITIONS

IN AUSTRALIA / NEW ZEALAND – Please refer to the separated WARRANTY STATEMENT.

IN EUROPE – If you are a European customer please contact the retail outlet where the fan was purchased for a warranty service.



This fan is suitable for indoor and outdoor areas provided the fan is fully undercover with a minimum of 2 walls. The ceiling fan must be positioned in a location protected from water, wind, dust and salt. Exposure to these elements will void the warranty.