

AIRFUSION CLIMATE LIGHT KIT

SKU# BI2105253, BI2105254, BI2105255, BI2105256

Rated Voltage 220-240V~ 50Hz

Thank you for purchasing this quality Lucci product. To ensure correct function and safety, please read and follow all instructions carefully before using the product. Please keep instructions for future reference.

Warranty

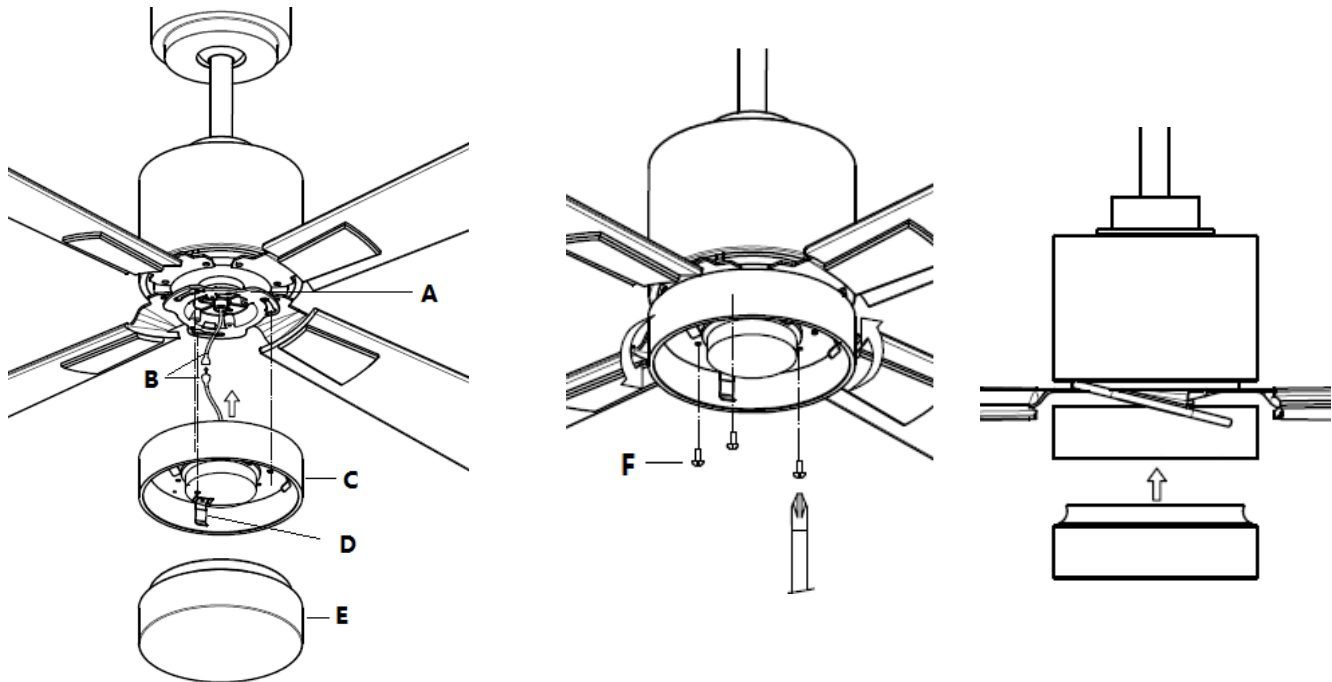
- Warranty will be void if there is any damage due to improper usage or modification to the fitting.
- **IN EUROPE** – If you are a European customer please contact the retail outlet where the light kit was purchased for warranty service.

Installation requirements

- Must be installed by a licensed electrician.
- All wiring and installation of the light fitting must adhere to local and national wiring rules.
- Do not exceed the maximum wattage rating.
- Select a suitable location for installation;
 - This product is suitable for indoor use only.
 - Ensure the fitting is not installed next to any air vents and is not in any moist or damp areas.
 - The mounting point must support 2 times the weight of the fitting.
- Take care not to pull any electrical wires during unpacking as this may damage the connection.
- Lay out all the components on a smooth surface and make sure there are no components missing before assembling.
- Check whether the fitting has been damaged during transport. Do not operate/install any product which appears damaged in any way. Return the complete product to the place of purchase for inspection, repair or replacement.
- Ensure power to the circuit you are working on has been switched OFF.

Installation directions

1. Remove all packaging material from the product.
2. Remove the cover from the shaft of the fan .
3. Remove the shrinkable sleeve from light wires connector (B).
4. Remove the light shade (E) from the light base (C) by pulling it to release from spring clips.
5. Connect the light wire connectors (B) together.
6. Lift and align the base of the light (C) to the light base bracket (A), let the bolt go through the big keyholes of the slot and turn the light base **anticlockwise**. Align the screw holes between the light base and the light base bracket and use the 3 mounting screws (F) to secure.
7. Install a globe (included) into the lamp holder. Do not exceed the maximum wattage rating.
8. Reposition the lamp shade using the 3 spring clips (D).



Safety tips

- Always ensure the power is OFF and the fitting has cooled down before performing any maintenance, cleaning, changing the globe or adjustment to the fitting.
- Do not touch the globe with bare hands. Use a clean cloth, gloves or a tissue.
- To avoid injury or damage to the fitting, ensure that power leads and screws are secure before connecting the power.
- Select a suitable location away from liquids and hazards.
- Ensure that the fitting does not come in contact with corrosive chemicals, etc.
- To clean, wipe with a damp clean cloth. Never soak the fitting with water.

Specifications

SKU #	BI2105253	BI2105254	BI2105255	BI2105256
Model #	BI-LIGHTKIT-ST-WH	BI-LIGHTKIT-ST-BC	BI-LIGHTKIT-ST-AB	BI-LIGHTKIT-ST-CC
Rated Voltage	220-240V~ 50Hz			
Rated Wattage	Max.11W LED globe			
Lamp Holder	GX53			
Weight	0.45kg			
Dimensions	H:70mm Dia:153mm			
Globe	LED globe included			